

780nm~785nm & 650nm~660nm Dual-Wavelength Fiber Coupled Laser Diode Module

1.5W@780nm & 750W@650nm LD | With PD | With TEC Cooling | HHL Package|<400um Fiber Core

Wavespectrum Laser Group

www.wavespectrum-laser.com

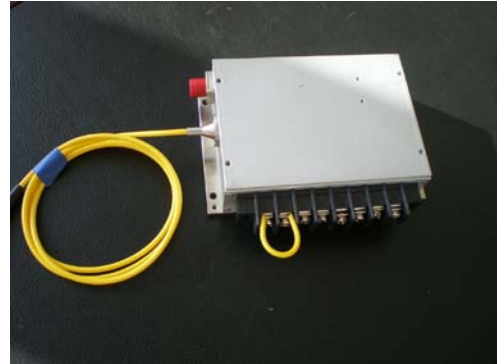
PARAMETER	SYMBOL	VALUE	UNIT
Reverse Voltage	V_r	2.0	V
Operating Temperature	T_{op}	+10 ~ +30	°C
Storage Temperature	T_{stg}	-20 ~ +80	°C
Lead soldering temperature (10 sec.)	T_{is}	260	°C

Features:

- 780nm & 650nm Dual-Wavelength Output
- TEC Cooling Optional
- Photodiodes Optional
- Customized Output Power Optional

Applications:

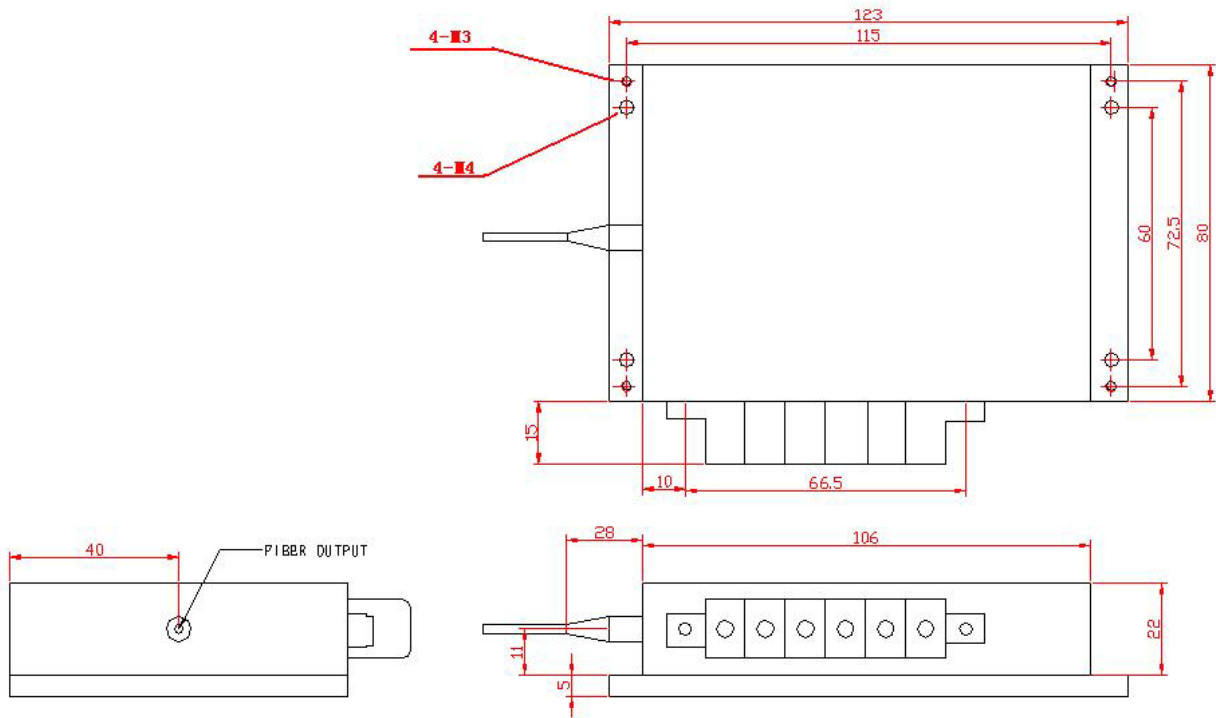
- Medical laser treatment
- Others



Specifications	WSLB-780/1500m-650/750m-H	
	Wavelength-1	Wavelength-2
Center Wavelength	780nm	650nm
Output Power (CW)	1.5W	750mW
Threshold Current (Typ.)	0.28A	0.28A
Operating Current (Typ.)	1.9A	1.6A
Operating Voltage	2.1V	2.0V
Recommended Operating Temperature	18°C	
TEC Cooling	Optional	
Thermistor (10K)	Optional	
Fiber Core Diameter	<300um	
Built-in Photodiodes	Optional	
Stainless Steel Armored Fiber Jacket	Optional	
Fiber Length	100cm	
Connector Type	FC or SMA905	
Package	P2	



Package View



PIN	1	2	3	4	5	6
	LD1 (+)	LD1 (-)	LD2 (+)	LD2 (-)	NC	NC

Wavespectrum offer **Customized 650nm & 780nm Dual-Wavelength Laser Module.**

- Customized Output Power for each Wavelength (Such as 1.5W@650nm & 1.5w@780nm)
- Built-in Photodiodes and TEC Cooler Optional
- Tri-Wavelength Solution Optional (Such as 750W@650nm & 1.5W@780nm & 4W@808nm)
- Fiber Detachable Package Optional

Contact us with info@wavespectrum-laser.com

Caution
 On operation, if optical connectors are unterminated, modules can emit invisible laser radiation. Radiation emitted by laser devices can be dangerous to the eyes. Avoided eye or skin exposure to direct or scattered radiation



Wavespectrum Laser, Inc.
 www.wavespectrum-laser.com
 wavespectrumlaser@gmail.com

