

## 808nm~810nm & 650nm(or 635nm) Dual-Wavelength Fiber Coupled Laser Diode Module

15W@808nm & 350mW@650nm LD | With PD | With TEC Cooling | HHL Package | <400um Fiber Core

Wavespectrum Laser Group

www.wavespectrum-laser.com

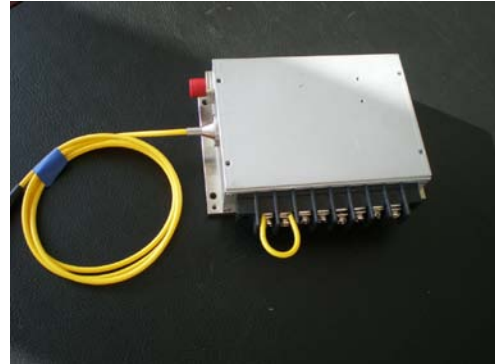
PARAMETER	SYMBOL	VALUE	UNIT
Reverse Voltage	$V_r$	2.0	V
Operating Temperature	$T_{op}$	+10 ~ +30	°C
Storage Temperature	$T_{stg}$	-20 ~ +80	°C
Lead soldering temperature (10 sec.)	$T_{is}$	260	°C

### Features:

- 808nm & 650nm Dual-Wavelength Output
- TEC Cooling Optional
- Photodiodes Optional
- Customized Output Power Optional

### Applications:

- Medical laser treatment
- Others



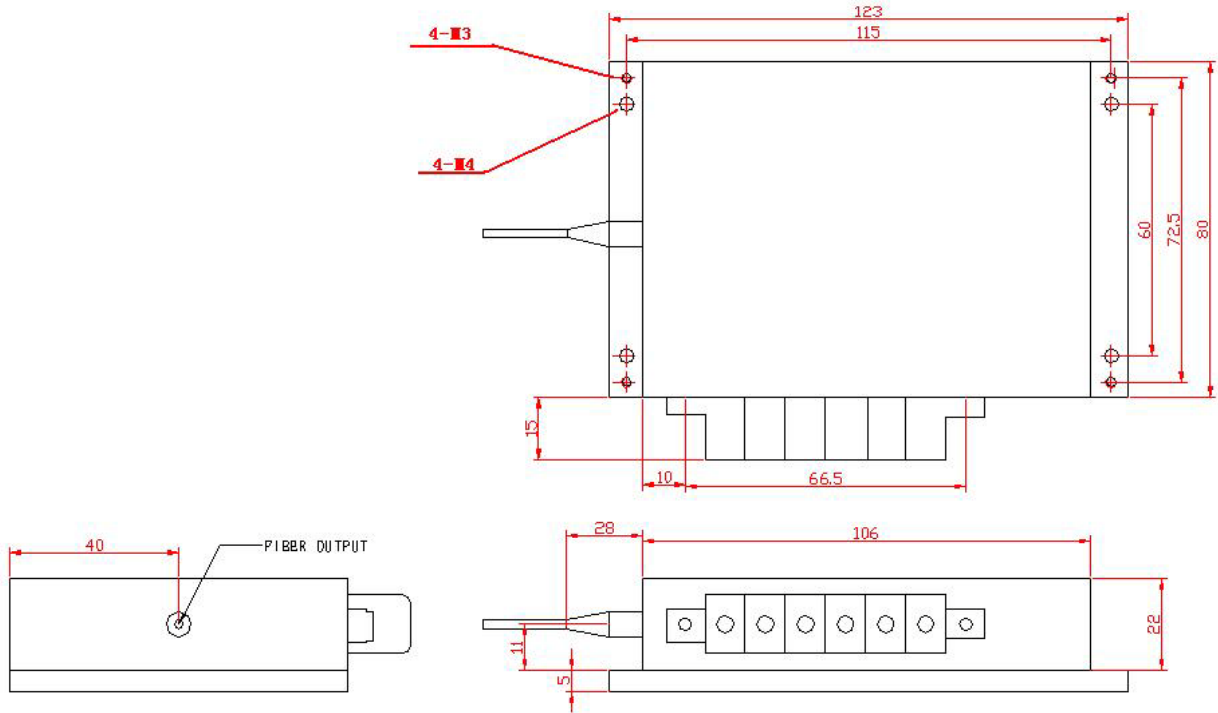
### Specifications

#### WSLB-808/015-650/350m-H

	Wavelength-1	Wavelength-2
Center Wavelength	808nm	650nm
Output Power (CW)	15W	350mW
Threshold Current (Typ.)	0.85A	0.35A
Operating Current (Typ.)	5.5A	1.2A
Operating Voltage	8.5V	2.2V
Recommended Operating Temperature	18°C	
TEC Cooling	Optional	
Thermistor (10K)	Optional	
Built-in Photodiodes	Optional	
Stainless Steel Armored Fiber Jacket	Optional	
Fiber Core Diameter	<400um	
Fiber Length	100cm	
Connector Type	FC or SMA905	
Package	P2	
Other Red Operating Laser Optional	50mw, 100mw, 200mw, 750mw@650nm	
	50mw, 150mw, 300mw, 700mw@635nm	



Package View



PIN	1	2	3	4	5	6
	LD1 (+)	LD1 (-)	LD2 (+)	LD2 (-)	NC	NC

Wavespectrum offer Customized 808nm & 650nm Dual-Wavelength Laser Module.

- Customized Output Power for each Wavelength (Such as 20W@808nm & 750mW@650nm)
- Built-in Photodiodes and TEC Cooler Optional
- Tri-Wavelength Solution Optional (Such as 7W@808nm & 7W@980nm & 350W@650nm)
- Other Red Operating Laser Optional (50mw~750mw@635nm Or 50mw~750mw@650nm)
- Fiber Detachable Package Optional

Contact us with [info@wavespectrum-laser.com](mailto:info@wavespectrum-laser.com)

**Caution**  
 On operation, if optical connectors are unterminated, modules can emit invisible laser radiation. Radiation emitted by laser devices can be dangerous to the eyes. Avoided eye or skin exposure to direct or scattered radiation



Wavespectrum Laser, Inc.  
[www.wavespectrum-laser.com](http://www.wavespectrum-laser.com)  
[wavespectrumlaser@gmail.com](mailto:wavespectrumlaser@gmail.com)

