



808nm~810nm 500mW~1W Fiber Coupled Laser Diode (LD) with 650nm Red Pilot Beam | Single Fiber Output
800mW@808nm+1mW@650nm|Dual-Wavelength|650nm Red Aiming Beam| PD |TEC Cooling|105um 200um Fiber
WSLX-808-800m-H-A Wavespectrum Laser Group www.wavespectrum-laser.com

PARAMETER	SYMBOL	VALUE	UNIT
Reverse Voltage	V _r	2.0	V
Operating Temperature	T _{op}	+10~+30	°C
Storage Temperature	T _{stg}	-20 ~ +80	°C
Lead soldering temperature (10 sec.)	T _{is}	260	°C

Features:

- 808nm
- Single Fiber Output
- With 650nm Red Aiming Beam
- 4-pin/9-pin/14-pin Package Optional
- Photodiodes Optional
- TEC Cooling Optional

Applications:

- Medical laser treatment
- Others



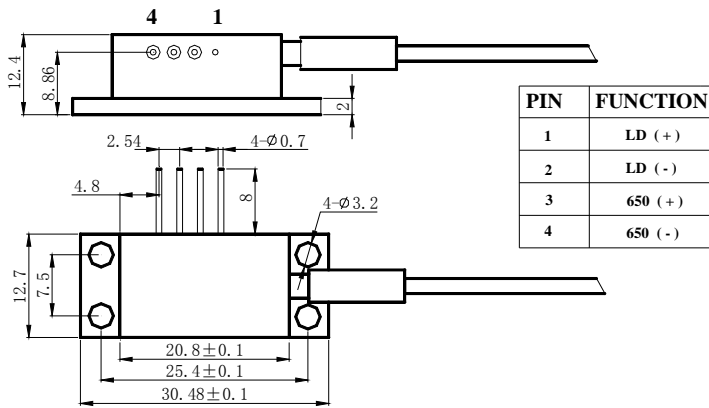
Specifications

WSLX-808-800m-H-A

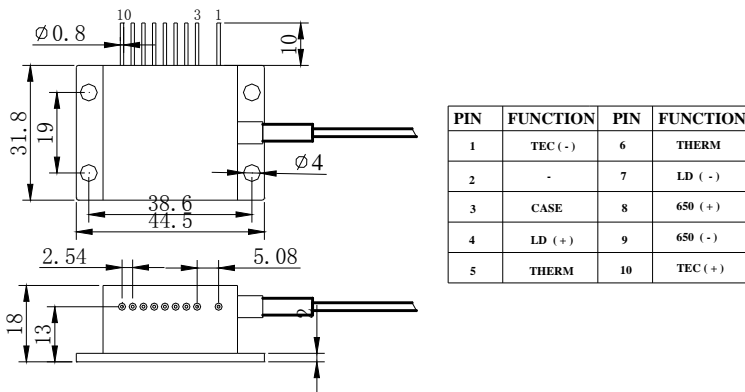
Center Wavelength@25°C	±3nm	808nm	±10nm
Spectral Width (FWHM)	1nm	----	3nm
Output Power	----	800mW	----
Temperature Coefficient of Wavelength	0.3nm / °C		
Threshold Current (Typ.)	200mA		
Operating Current (Typ.)	1A		
Operating Voltage	1.95V		
Recommended Case Temperature	25°C		
Red Aiming Beam	1mw@650nm		
TEC Cooler	Optional		
Photodiodes	Optional		
Fiber Core	200um (105um or 400um Optional)		
Fiber Length	80cm		
Fiber Connector	SMA905/ST/FC		
Package Style	4-pin, 9-pin, 14-pin		



4-PIN Package View



9-PIN HHL Package View



If you need the **TEC Cooling** and **PD (Photodiodes)** for this device, you can choose the **14-PIN Butterfly** Package or **9-PIN HHL** Package as the Standard Package. Contact us with info@wavespectrum-laser.com

Wavespectrum offer Customized 808nm Fiber Coupled Laser Diode Module:

- **Fiber Detachable** Package Laser Module (Red Aiming Beam Optional)
- **Single Fiber Output** Laser Module (Red Aiming Beam Optional)
- **Dual-Wavelength** or **Tri-Wavelength** Laser Module (such as 7w@808nm+7w@980nm+2mw@650nm)



Wavespectrum Laser, Inc.
www.wavespectrum-laser.com
wavespectrumlaser@gmail.com

