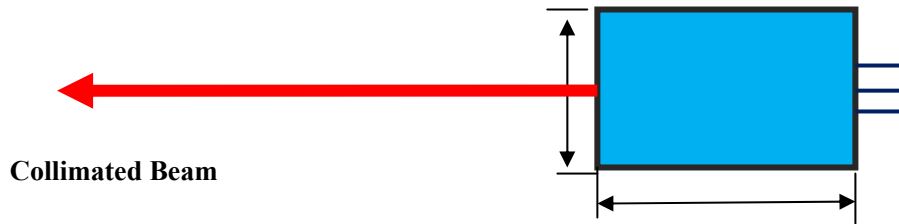


**405nm Collimated Laser Diode Module | Single Mode LD| 100mw~120mw Output Power| Collimation Beam  
 405nm LD| Small Compact Package| Built-in PD Optional| Built-in TEC Cooling Optional  
 WSLM-405-100m-K Wavespectrum Laser, Inc. www.wavespectrum-laser.com**

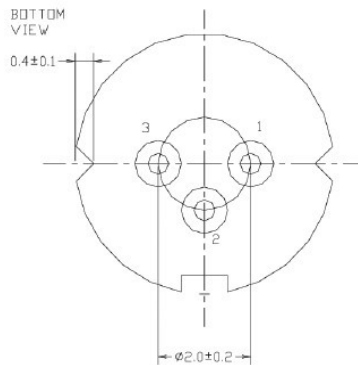
405nm Collimated Laser Diode 100mw		Wavespectrum Laser, Inc	
PARAMETER	SYMBOL	VALUE	UNIT
Reverse Voltage	$V_r$	5.0	V
Operating Temperature	$T_{op}$	-10 ~ +70	°C
Storage Temperature	$T_{stg}$	-40 ~ +85	°C
Lead soldering temperature (10 sec.)	$T_{is}$	260	°C
<b>Features:</b> <ul style="list-style-type: none"> <li>• 405nm</li> <li>• Collimated Laser Beam</li> <li>• Small Compact Package</li> <li>• Excellent Beam Quality</li> <li>• Built-in PD Optional</li> <li>• Built-in TEC Cooling Optional</li> </ul>			
<b>Specifications</b>		<b>WSLM-405-100m-K</b>	
		Min	Type
Center Wavelength@25°C		395nm	405nm
Output Power (CW Mode)		----	100mW
Spatial Mode		Single Mode	
Lens Type		Aspheric Lens (with AR Coating)	
Beam Shape		Elliptical	
Beam Diameter @ Aperture		----	3mm <sub>⊥</sub> x 1.5mm <sub>∥</sub>
Beam Divergence (Full Angle)		----	1mrad
Recommend Operating Temperature		25 °C	
Monitor Current		----	----
Threshold Current (Typ.)		----	35mA
Operating Current (Typ.)		----	120mA
Operating Voltage			4.8V
Housing Material		Aluminum	
Housing Dimensions		Customized	



## Drawing



### PIN Bottom View:



<b>1</b>	<b>LD(+)</b>
<b>2</b>	<b>GND</b>
<b>3</b>	<b>LD(-)</b>

Electrically shorten LD module and store in non-extreme conditions.  
 Suggest using the constant current power supply.

