

635nm Collimated Laser Diode Module | Single Mode LD| 30mw Output Power| Collimation Beam

630nm~640nm Red LD| Small Compact Package| Built-in PD| Built-in TEC Cooling Optional

WSLM-635-030m-K

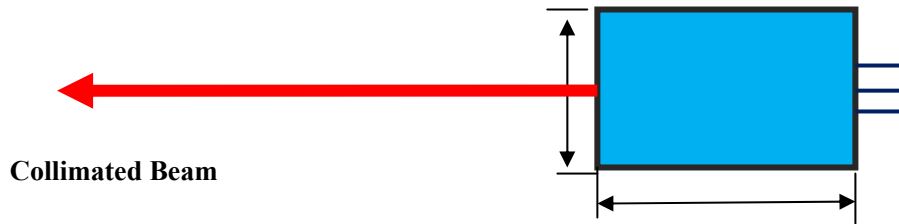
Wavespectrum Laser, Inc.

www.wavespectrum-laser.com

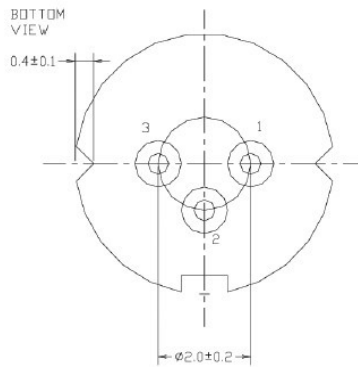
635nm Collimated Laser Diode 30mw		Wavespectrum Laser, Inc	
PARAMETER	SYMBOL	VALUE	UNIT
Reverse Voltage	V_r	2.0	V
Operating Temperature	T_{op}	-10 ~ +40	°C
Storage Temperature	T_{stg}	-40 ~ +85	°C
Lead soldering temperature (10 sec.)	T_{is}	260	°C
Features: <ul style="list-style-type: none"> • 635nm • Collimated Laser Beam • Small Compact Package • Excellent Beam Quality • Built-in PD • Built-in TEC Cooling Optional 			
Specifications		WSLM-635-030m-K	
		Min	Type
Center Wavelength@25°C		630nm	639nm
Output Power (CW Mode)		----	30mW
Spatial Mode		Single Mode	
Lens Type		Aspheric Lens (with AR Coating)	
Beam Shape		Elliptical	
Beam Diameter @ Aperture		----	5mm _⊥ x 1.5mm _{//}
Beam Divergence (Full Angle)		----	1mrad
Recommend Operating Temperature		25 °C	
Monitor Current		----	0.1mA
Threshold Current (Typ.)		----	65mA
Operating Current (Typ.)		----	125mA
Operating Voltage		----	2.2V
Housing Material		Aluminum	
Housing Dimensions		Customized	



Drawing



PIN Bottom View:



1	LD(-)
2	LD(+)&PD(-)
3	PD(+)

Electrically shorten LD module and store in non-extreme conditions.
 Suggest using the constant current power supply.

