


## 1064nm 3W laser diodes with C-mount

### 1064nm 3w high power LD

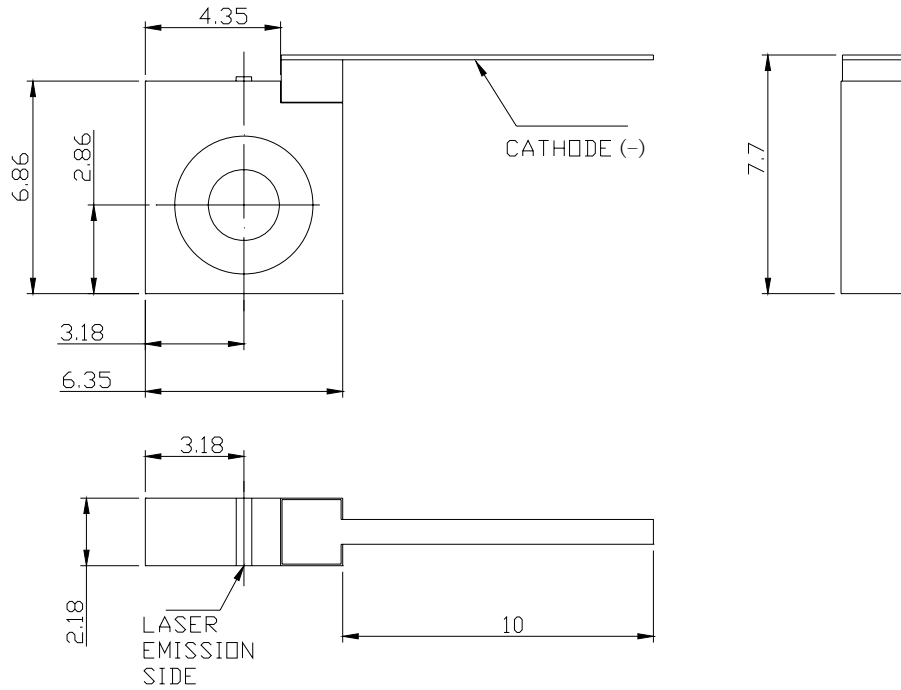
WSLD-1064-003-C Wavespectrum laser inc.

[www.wavespectrum-laser.com](http://www.wavespectrum-laser.com)

1064nm Laser Diode		3W		Wavespectrum Laser, Inc	
Reverse Voltage	$V_r$	2.0		V	
Operating Temperature	$T_{op}$	10~+30		°C	
Storage Temperature	$T_{stg}$	-40 ~ +85		°C	
Lead soldering temperature (10 sec.)	$T_{is}$	260		°C	
<b>Features:</b> <ul style="list-style-type: none"> <li>1064nm</li> <li>CW</li> <li>C-mount or TO3 package</li> </ul>					
<b>Applications:</b> <ul style="list-style-type: none"> <li>Medical laser treatment</li> <li>Laser indicator</li> <li>Laser detector</li> </ul>					
<b>Specifications</b>		<b>WSLD-1064-003-C</b>			
		<b>Min</b>	<b>Type</b>	<b>Max</b>	
Center Wavelength@25°C		+/-5nm	1064nm	+/-10nm	
Spectral Width (FWHM)		----	3.5nm	----	
Output Power		----	3W	----	
Emitter Area		100x1μm			
Beam Divergence (FWHM)		----	32°± x 8°//	42°± x 10°//	
Temperature Coefficient of Wavelength		----	0.3nm / °C	----	
Slope Efficiency		----	1.0mW/mA	----	
Threshold Current (Typ.)		----	350mA	----	
Operating Current (Typ.)		----	3.5A	----	
Operating Voltage		----	1.9V	----	
Package Style		C-mount/TO3			



### C-mount Package View



**Electrically shorten LD module and store in non-extreme conditions.  
 Suggest using the constant current power supply.**



Please contact us:

Website: [www.wavespectrum-laser.com](http://www.wavespectrum-laser.com) (for more detailed information)

Email: [info@wavespectrum-laser.com](mailto:info@wavespectrum-laser.com) (for inquiry about this product)

