


**1330nm 1W Laser Diode with TO 3 Package | FAC Lens | High Power LD
1320nm~1330nm| 1W Power |TO3 Package | Square or Line Beam Optional**

WSLD-1330-001-3

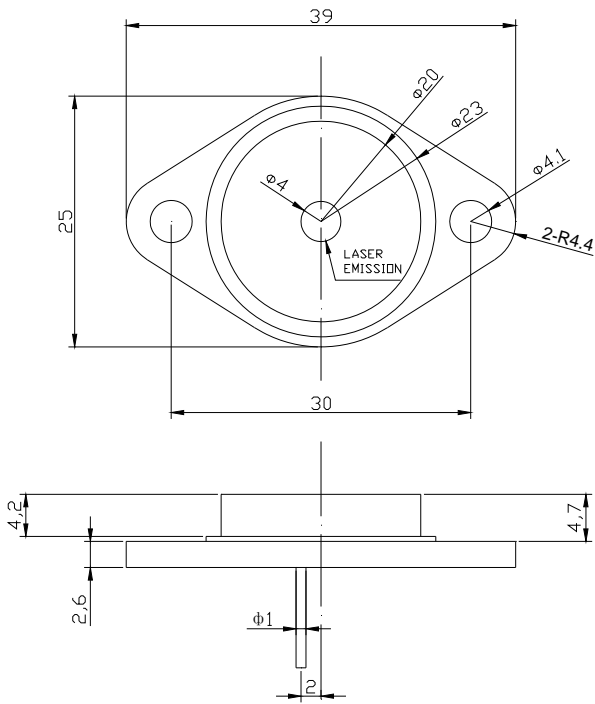
Wavespectrum Laser Group

www.wavespectrum-laser.com

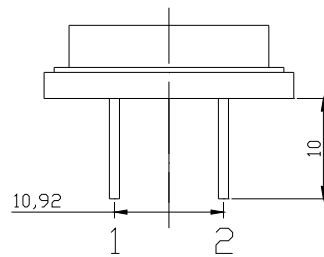
1330nm Laser Diode 1W		Wavespectrum Laser Group	
Reverse Voltage	V_r	2.0	V
Operating Temperature	T_{op}	+10~+30	°C
Storage Temperature	T_{stg}	-20 ~ +80	°C
Lead soldering temperature (10 sec.)	T_{is}	260	°C
Features: <ul style="list-style-type: none"> ● 1330nm ● 1W Power ● TO3 Package ● FAC Lens Optional (Square or Line Beam) 			
Applications: <ul style="list-style-type: none"> ● Medical laser treatment ● Others 			
Specifications		WSLD-1330-001-3	
		Min	Type
Center Wavelength@25°C		+/-10nm	1330nm
Spectral Width (FWHM)		----	10.0nm
Output Power		----	1W
Emitter Area		----	85x1µm
Beam Divergence (With FAC Lens)		----	8° _⊥ x 8° _{//}
Temperature Coefficient of Wavelength		----	0.7nm / °C
Slope Efficiency		----	0.5W/A
Threshold Current (Typ.)		----	350mA
Operating Current (Typ.)		----	2.1A
Operating Voltage		----	1.3V
Package Style		TO3	



T03 Package View



PIN	FUNCTION
1	LD (-)
2	CASE



**Electrically shorten LD module and store in non-extreme conditions.
Suggest using the constant current power supply.**

