

**1450nm 2W Laser Diode with TO3 package | FAC Lens | High Power LD  
 1450nm| 2W Power |TO 3 Package | Square or Line Beam Optional**

WSLD-1450-002-3

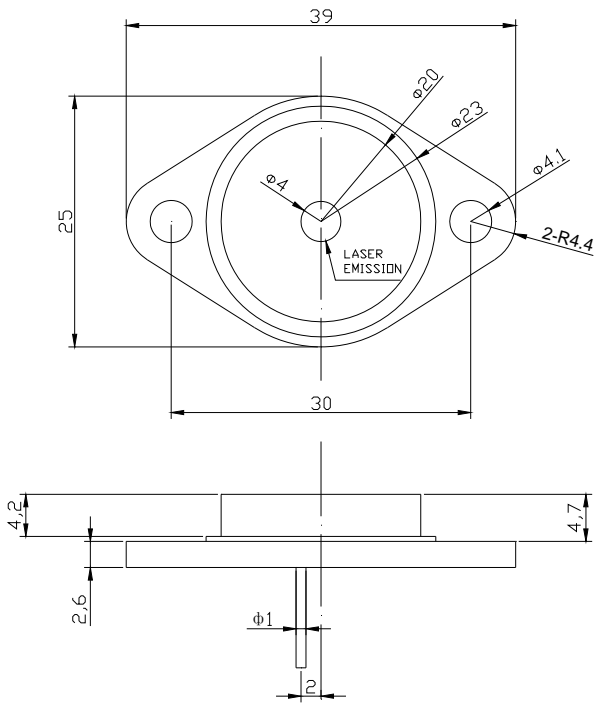
Wavespectrum Laser Group

[www.wavespectrum-laser.com](http://www.wavespectrum-laser.com)

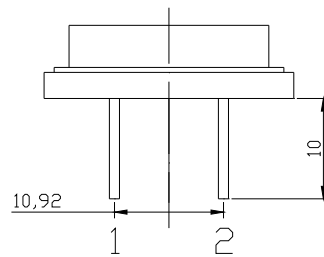
1450nm Laser Diode 2W		Wavespectrum Laser Group	
<b>Reverse Voltage</b>	<b>V<sub>r</sub></b>	<b>2.0</b>	<b>V</b>
<b>Operating Temperature</b>	<b>T<sub>op</sub></b>	<b>+15~+30</b>	<b>°C</b>
<b>Storage Temperature</b>	<b>T<sub>stg</sub></b>	<b>-20~+80</b>	<b>°C</b>
<b>Lead soldering temperature (10 sec.)</b>	<b>T<sub>is</sub></b>	<b>260</b>	<b>°C</b>
<b>Features:</b> <ul style="list-style-type: none"> <li>● 1450nm</li> <li>● 2W Power</li> <li>● TO3 Package</li> <li>● FAC Lens Optional (Square or Line Beam)</li> </ul>			
<b>Applications:</b> <ul style="list-style-type: none"> <li>● Medical laser treatment</li> <li>● Others</li> </ul>			
<b>Specifications</b>	<b>WSLD-1450-002-3</b>		
	<b>Min</b>	<b>Type</b>	<b>Max</b>
<b>Center Wavelength@25°C</b>	----	<b>1450nm</b>	<b>+/-30nm</b>
<b>Spectral Width (FWHM)</b>	----	----	<b>10.0nm</b>
<b>Output Power</b>	----	<b>2W</b>	----
<b>Emitter Area</b>	----	<b>85x1µm</b>	----
<b>Beam Divergence (With FAC Lens)</b>	----	<b>8°<sub>⊥</sub> x 8°<sub>//</sub></b>	----
<b>Temperature Coefficient of Wavelength</b>	----	<b>0.7nm / °C</b>	----
<b>Slope Efficiency</b>	----	<b>0.5W/A</b>	----
<b>Threshold Current (Typ.)</b>	----	<b>400mA</b>	----
<b>Operating Current (Typ.)</b>	----	<b>4.5A</b>	<b>5.0A</b>
<b>Operating Voltage</b>	----	<b>1.4V</b>	<b>1.5V</b>
<b>Package Style</b>	<b>TO3</b>		



### T03 Package View



PIN	FUNCTION
1	LD (-)
2	CASE



**Electrically shorten LD module and store in non-extreme conditions.  
Suggest using the constant current power supply.**

