

1530nm 2W Laser Diode with TO3 Package with FAC Lens

1532nm 1530nm | 2W Power | High Power LD | TO 3 Package | Square or Line Beam

WSLD-1530-002-3

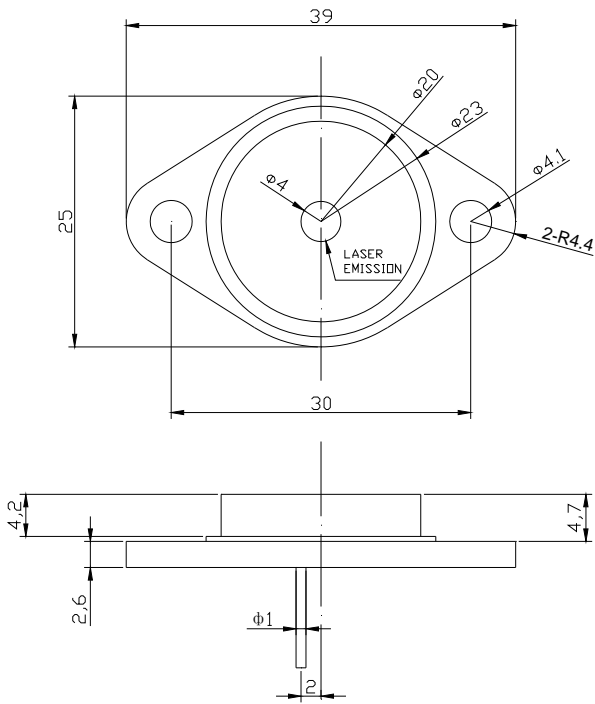
Wavespectrum Laser Group

www.wavespectrum-laser.com

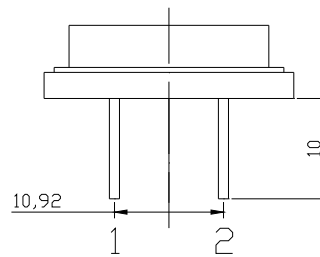
1530nm Laser Diode 2W		Wavespectrum Laser Group		
Reverse Voltage	V_r	2.0	V	
Operating Temperature	T_{op}	+15~+30	°C	
Storage Temperature	T_{stg}	-40 ~ +60	°C	
Lead soldering temperature (10 sec.)	T_{is}	260	°C	
Features: <ul style="list-style-type: none"> 1530nm 2W Power TO3 Package FAC Lens Optional (Square or Line Beam) 				
Applications: <ul style="list-style-type: none"> Medical laser treatment Others 				
Specifications		WSLD-1530-002-3		
		Min	Type	Max
Center Wavelength@25°C		+/-10nm	1530nm	+/-20nm
Spectral Width (FWHM)		----	----	10.0nm
Output Power		----	2W	----
Emitter Area		----	85x1µm	----
Beam Divergence (With FAC Lens)		----	8° _⊥ x 8° _{//}	----
Temperature Coefficient of Wavelength		----	0.7nm / °C	----
Slope Efficiency		----	0.4W/A	----
Threshold Current (Typ.)		----	450mA	----
Operating Current (Typ.)		----	4.8A	5.3A
Operating Voltage		----	1.2V	1.4V
Package Style		TO3		



T03 Package View



PIN	FUNCTION
1	LD (-)
2	CASE



**Electrically shorten LD module and store in non-extreme conditions.
Suggest using the constant current power supply.**

