


1550nm 2W Laser Diode with TO3 Package with FAC Lens

1550nm | 2W Power | High Power LD | TO-3 Package | Square or Line Beam

WSLD-1550-002-3

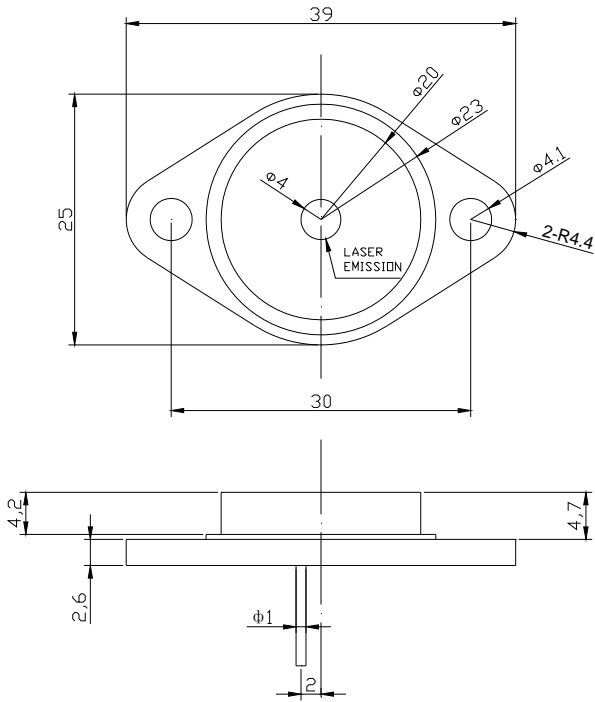
Wavespectrum Laser Group

www.wavespectrum-laser.com

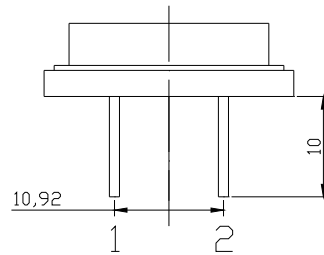
1550nm Laser Diode 2W		Wavespectrum Laser Group	
Reverse Voltage	V_r	2.0	V
Operating Temperature	T_{op}	+15~+30	°C
Storage Temperature	T_{stg}	-40 ~ +60	°C
Lead soldering temperature (10 sec.)	T_{is}	260	°C
Features: <ul style="list-style-type: none"> • 1550nm • 2W Power • TO3 Package • FAC Lens Optional (Square or Line Beam) 			
Applications: <ul style="list-style-type: none"> • Medical laser treatment • Others 			
Specifications	WSLD-1550-002-3		
	Min	Type	Max
Center Wavelength@25°C	+/-10nm	1550nm	+/-20nm
Spectral Width (FWHM)	----	----	10.0nm
Output Power	----	2W	----
Emitter Area	----	85x1µm	----
Beam Divergence (With FAC Lens)	----	8° _⊥ x 8° _{//}	----
Temperature Coefficient of Wavelength	----	0.7nm / °C	----
Slope Efficiency	----	0.4W/A	----
Threshold Current (Typ.)	----	500mA	----
Operating Current (Typ.)	----	5A	5.5A
Operating Voltage	----	1.5V	1.8V
Package Style	TO3		



T03 Package View



PIN	FUNCTION
1	LD (-)
2	CASE



**Electrically shorten LD module and store in non-extreme conditions.
 Suggest using the constant current power supply.**

