


**405nm 500mw Laser Diode|0.5W Power**

**405nm LD| 500mw Power|5.6 mm Package**

**WSLD-405-500m-1**

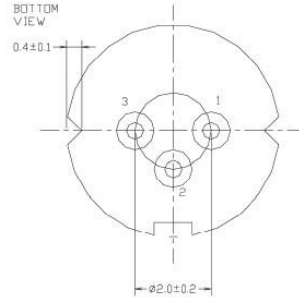
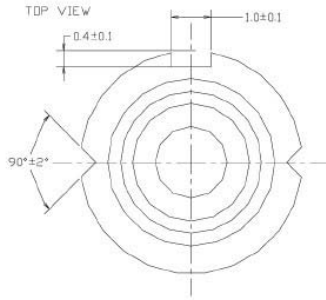
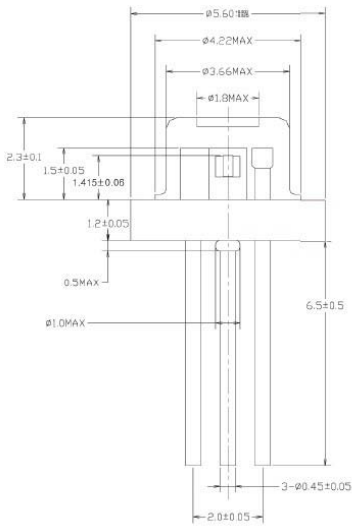
**Wavespectrum Laser, Inc.**

**www.wavespectrum-laser.com**

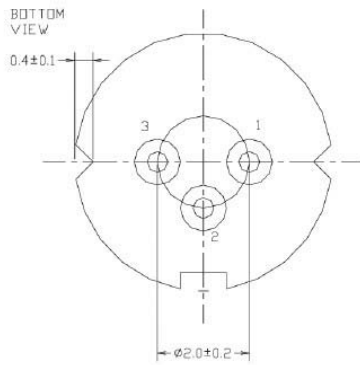
405nm Laser Diode		500mw		Wavespectrum Laser, Inc	
PARAMETER	SYMBOL	VALUE		UNIT	
Reverse Voltage	$V_r$	2.0		V	
Operating Temperature	$T_{op}$	0 ~ +30		°C	
Storage Temperature	$T_{stg}$	-40 ~ +85		°C	
Lead soldering temperature (10 sec.)	$T_{is}$	260		°C	
<b>Features:</b> <ul style="list-style-type: none"> <li>405nm</li> <li>High Output Power</li> <li>5.6mm package</li> </ul>					
<b>Applications:</b> <ul style="list-style-type: none"> <li>Medical laser treatment</li> <li>Printing</li> <li>Others</li> </ul>					
<b>Specifications</b>		<b>WSLD-405-500m-1</b>			
		<b>Min</b>	<b>Type</b>	<b>Max</b>	
Center Wavelength@25°C		398nm	405nm	410nm	
Spectral Width (FWHM)		2.0nm			
Output Power (CW)		400mW	----	500mW	
Beam Mode		Multimode			
Beam Divergence (FWHM)		30°± x 5°//	----	60°± x 25°//	
Recommended Operating Temperature		25 °C			
Slope Efficiency		----	1.3mW/mA	1.5mW/mA	
Threshold Current (Typ.)		----	110mA	160mA	
Operating Current (Typ.)		----	400mA	420mA	
Operating Voltage		----	4.9V	5.5V	
Package Style		5.6mm			



### TO18(5.6mm) Package View



### PIN Bottom View:



<b>1</b>	<b>LD(+)</b>
<b>2</b>	<b>GND</b>
<b>3</b>	<b>LD(-)</b>

Electrically shorten LD module and store in non-extreme conditions.

Suggest using the constant current power supply.

