


445nm~450nm 1.5W Laser Diode| High Power LD

450nm LD| 1.5W Power|5.6mm TO18 Package

WSLD-445-1500m-1

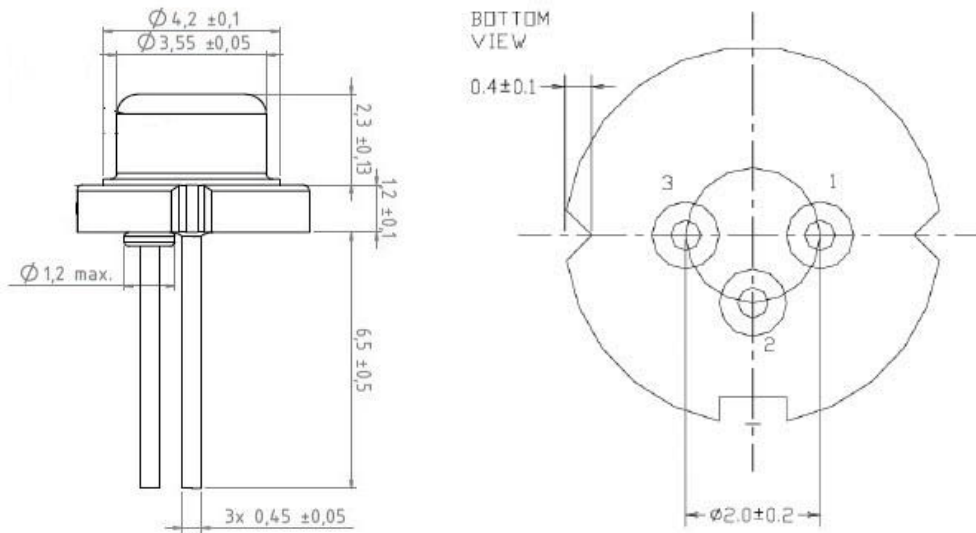
Wavespectrum Laser, Inc.

www.wavespectrum-laser.com

445nm Laser Diode		1.5W		Wavespectrum Laser, Inc	
PARAMETER	SYMBOL	VALUE	UNIT		
Reverse Voltage	V _r	5.0	V		
Operating Temperature	T _{op}	0 ~ +70	°C		
Storage Temperature	T _{stg}	-40 ~ +85	°C		
Lead soldering temperature (10 sec.)	T _{is}	260	°C		
Features: <ul style="list-style-type: none"> 445nm 1.5W Output Power Long Lifetime 5.6mm package 					
Applications: <ul style="list-style-type: none"> Medical laser treatment Laser indicator Others 					
Specifications		WSLD-445-1500m-1			
		Min	Type	Max	
Center Wavelength@25°C		440nm	450nm	460nm	
Spectral Width (FWHM)		3.0nm			
Output Power		----	1.5W	----	
Recommended Operating Temperature		25°C			
Beam Divergence		-----	----	25°± x 15°//	
Monitor Current		----			
Slope Efficiency		----	1.0mW/mA	1.2mW/mA	
Threshold Current (Typ.)		----	300mA	700mA	
Operating Current (Typ.)		----	1.3A	1.6A	
Operating Voltage		----	5.0V	6.5V	
Package Style		5.6mm			



PIN Bottom View:



1	LD(+)
2	Case
3	LD(-)

Electrically shorten LD module and store in non-extreme conditions.

Suggest using the constant current power supply.

