

445nm~450nm 3W~3.5W Laser Diode| High Power LD 9mm package

450nm LD| 3.5W Power|5.6mm TO5 Package

WSLD-445-3500m-2

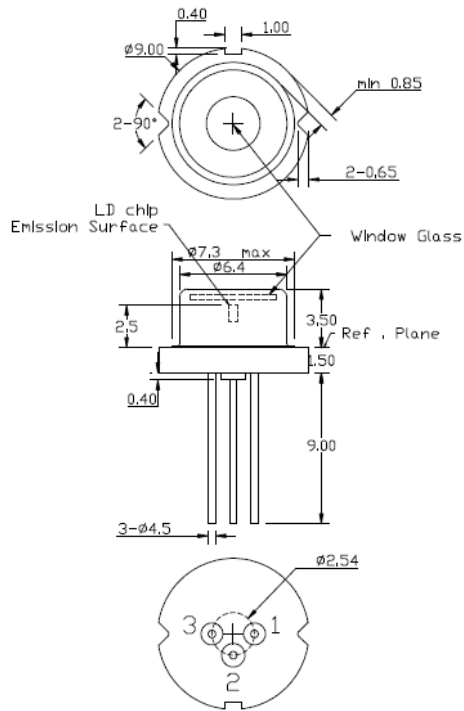
Wavespectrum Laser, Inc.

www.wavespectrum-laser.com

445nm Laser Diode		3.5W		Wavespectrum Laser, Inc	
PARAMETER	SYMBOL	VALUE	UNIT		
Reverse Voltage	V_r	5.0	V		
Operating Temperature	T_{op}	0 ~ +50	°C		
Storage Temperature	T_{stg}	-40 ~ +85	°C		
Lead soldering temperature (10 sec.)	T_{is}	260	°C		
Features: <ul style="list-style-type: none"> 445nm 3.5W Output Power Long Lifetime 9mm package 					
Applications: <ul style="list-style-type: none"> Medical laser treatment Laser indicator Others 					
Specifications		WSLD-445-3500m-2			
		Min	Type	Max	
Center Wavelength@25°C		440nm	445nm	460nm	
Spectral Width (FWHM)		3.0nm			
Output Power		----	3.5W	----	
Recommended Operating Temperature		25°C			
Beam Divergence		-----	15° _⊥ x 40° _{//}	-----	
Monitor Current		----			
Slope Efficiency		----	2.0mW/mA	----	
Threshold Current (Typ.)		----	200mA	350mA	
Operating Current (Typ.)		----	2.5A	2.8A	
Operating Voltage		----	4.0V	5.5V	
Package Style		9mm			



Package View:



1	LD(+)
2	NC
3	LD(-)

Electrically shorten LD module and store in non-extreme conditions.

Suggest using the constant current power supply.

