

635nm 1W Laser Diode| High Power| TO Can

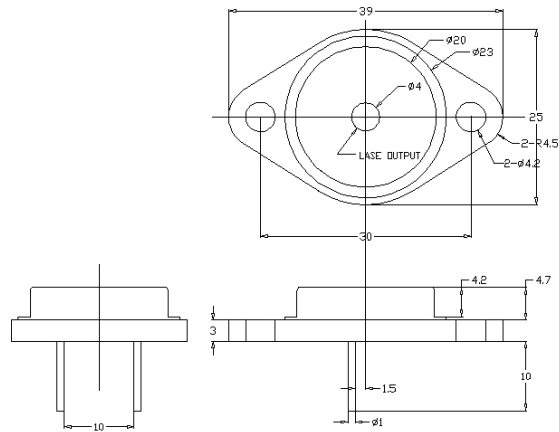
635nm LD 1W High Power| TO 3 Package

WSLD-635-001-3

635nm Laser Diode 1000mw		Wavespectrum Laser, Inc	
PARAMETER	SYMBOL	VALUE	UNIT
Reverse Voltage	$V_r$	2.0	V
Operating Temperature	$T_{op}$	+10~+25	°C
Storage Temperature	$T_{stg}$	-40 ~ +85	°C
Lead soldering temperature (10 sec.)	$T_{is}$	280	°C
<b>Features:</b> <ul style="list-style-type: none"> <li>● 635nm</li> <li>● High power ,CW, Multi-mode</li> <li>● High Quality</li> <li>● TO3 package</li> </ul>			
<b>Applications:</b> <ul style="list-style-type: none"> <li>● Medical laser treatment</li> <li>● Laser indicator</li> <li>● Laser detector</li> </ul>			
<b>Specifications</b>		<b>WSLD-635-001-3</b>	
	<b>Min</b>	<b>Type</b>	<b>Max</b>
Center Wavelength@25°C	630nm	635nm	642nm
Spectral Width (FWHM)	----	1nm	2.5nm
Output Power	----	1W	----
Emitter Area	----	200x1μm	----
Beam Divergence (FWHM)	----	----	40°± x 10°//
Temperature Coefficient of Wavelength	----	0.25nm / °C	----
Slope Efficiency	0.85W/A	0.90W/A	----
Threshold Current (Typ.)	----	1.00A	----
Operating Current (Typ.)	----	2.1A	----
Operating Voltage	----	2.3V	----
Package Style	TO3		



### T03 Package View



Electrically shorten LD module and store in non-extreme conditions.

Suggest using the constant current power supply.

