


635nm 300mw Laser Diode 5.6mm TO18 Package

635nm 5.6mm Package|300mw| LD

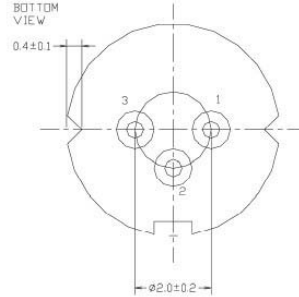
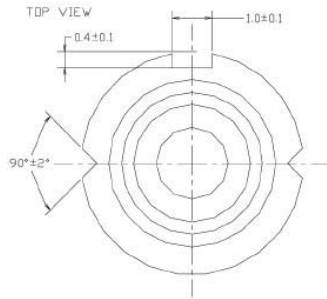
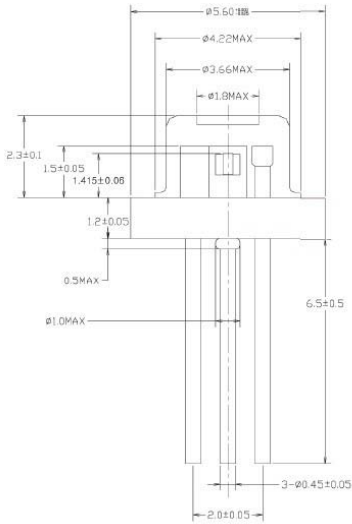
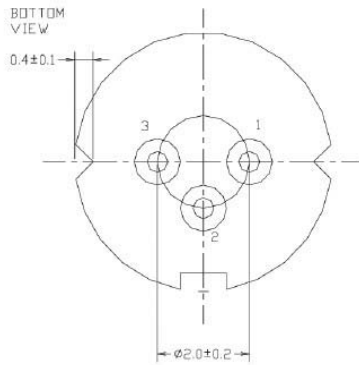
WSLD-635-300m-1

Wavespectrum Laser, Inc.

www.wavespectrum-laser.com

635nm Laser Diode		300mw		Wavespectrum Laser, Inc	
PARAMETER	SYMBOL	VALUE		UNIT	
Reverse Voltage	V_r	2.0		V	
Operating Temperature	T_{op}	-5 ~ +50		°C	
Storage Temperature	T_{stg}	-40 ~ +100		°C	
Lead soldering temperature (10 sec.)	T_{is}	260		°C	
Features: <ul style="list-style-type: none"> 635nm CW TO18 package 					
Applications: <ul style="list-style-type: none"> Medical laser treatment Laser indicator 					
Specifications		WSLD-635-300m-1			
		Min	Type	Max	
Center Wavelength@25°C		630nm	638nm	645nm	
Spectral Width (FWHM)		2.0nm			
Output Power		----	300mW	----	
Emitter		Single			
Beam Divergence (FWHM)		23° _⊥ x 2° _{//}	35° _⊥ x 7° _{//}	45° _⊥ x 12° _{//}	
Monitor Current		----			
PD Reverse Voltage		----			
PD Forward Current		----			
Slope Efficiency		0.8mW/mA	1.0mW/mA	1.3mW/mA	
Threshold Current (Typ.)		----	135mA	180mA	
Operating Current (Typ.)		----	400mA	475mA	
Operating Voltage		2.0V	2.2V	2.5V	
Package Style		TO18 (5.6mm)			



TO18(5.6mm) Package View

PIN Bottom View:


1	LD(+)
2	GND
3	LD(-)

Electrically shorten LD module and store in non-extreme conditions.

Suggest using the constant current power supply.

