

**650nm 1000mW TO Can LD| High Power Laser Diode| TO 3 Package**

**650nm Laser Diode 1W High Power| TO 3 Package LD**

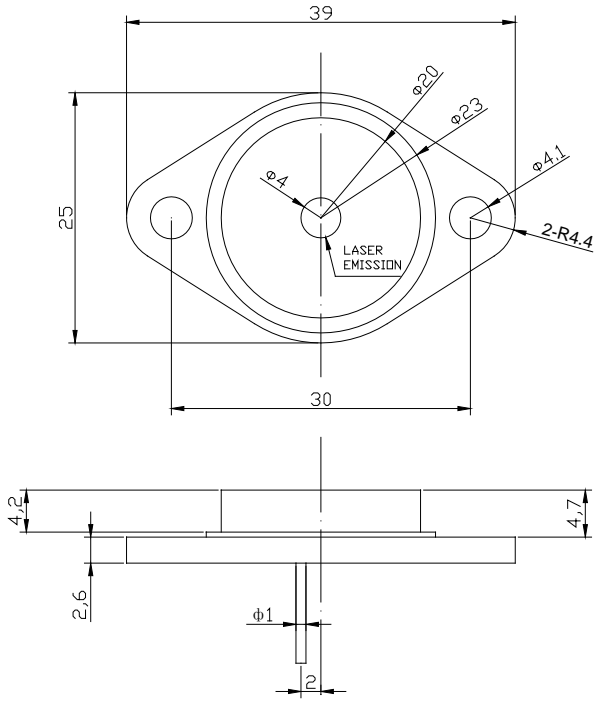
**WSLD-650-001-3**

**Wavespectrum Laser, Inc.**

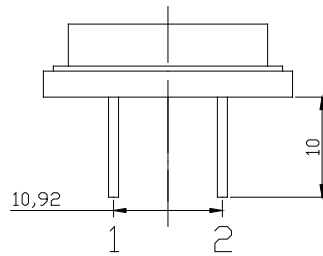
650nm Laser Diode 1000mw		Wavespectrum Laser, Inc	
PARAMETER	SYMBOL	VALUE	UNIT
Reverse Voltage	V <sub>r</sub>	2.0	V
Operating Temperature	T <sub>op</sub>	+10 ~ +25	°C
Storage Temperature	T <sub>stg</sub>	-40 ~ +85	°C
Lead soldering temperature (10 sec.)	T <sub>is</sub>	280	°C
<b>Features:</b> <ul style="list-style-type: none"> <li>650nm</li> <li>High power ,CW, Multi-mode</li> <li>High Quality</li> <li>TO3 package</li> </ul>			
<b>Applications:</b> <ul style="list-style-type: none"> <li>Medical laser treatment</li> <li>Laser indicator</li> <li>Laser detector</li> </ul>			
<b>Specifications</b>		<b>WSLD-650-001-3</b>	
		Min	Type
Center Wavelength@25°C		640nm	650nm
Spectral Width (FWHM)			1nm
Output Power			1W
Emitter Area			150x1µm
Beam Divergence (FWHM)			40°± x 10°//
Temperature Coefficient of Wavelength			0.25nm / °C
Slope Efficiency	0.85W/A		0.90W/A
Threshold Current (Typ.)			1.00A
Operating Current (Typ.)			1.80A
Operating Voltage			2.3V
Package Style			TO3



### TO3 Package View



PIN	FUNCTION
1	LD (-)
2	CASE



Electrically shorten LD module and store in non-extreme conditions.  
 Suggest using the constant current power supply.

