
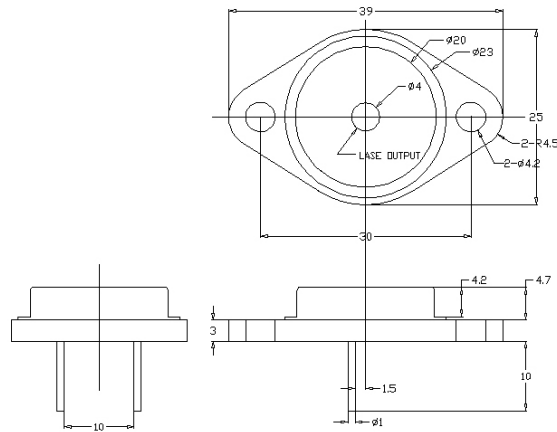


650nm 500mW High Power LD| TO Can Laser Diode| High Power
650nm Laser diode 0.5W High Power| TO 3 Package
WSLD-650-500m-3

650nm Laser Diode 500mw		Wavespectrum Laser, Inc	
PARAMETER	SYMBOL	VALUE	UNIT
Reverse Voltage	V_r	2.0	V
Operating Temperature	T_{op}	+10~+25	°C
Storage Temperature	T_{stg}	-40 ~ +85	°C
Lead soldering temperature (10 sec.)	T_{is}	280	°C
Features: <ul style="list-style-type: none"> ● 650nm ● High power ,CW, Multi-mode ● High Quality ● TO3 package 			
Applications: <ul style="list-style-type: none"> ● Medical laser treatment ● Laser indicator ● Laser detector 			
Specifications		WSLD-650-500m-3	
	Min	Type	Max
Center Wavelength@25°C	640nm	650nm	660nm
Spectral Width (FWHM)		1nm	2.5nm
Output Power		500mW	
Emitter Area		100x1µm	
Beam Divergence (FWHM)			40°± x 10°//
Temperature Coefficient of Wavelength		0.25nm / °C	
Slope Efficiency	0.80W/A	0.95W/A	
Threshold Current (Typ.)		0.75A	0.85A
Operating Current (Typ.)		1.20A	1.35A
Operating Voltage		2.2V	2.3V
Package Style	TO3/C-mount		



T03 Package View



Electrically shorten LD module and store in non-extreme conditions.
 Suggest using the constant current power supply.

