

808nm~810nm 1W laser diodes TO5 9mm package

808nm 1000mw High Power LD with PD

WSLD-808-001-2-PD

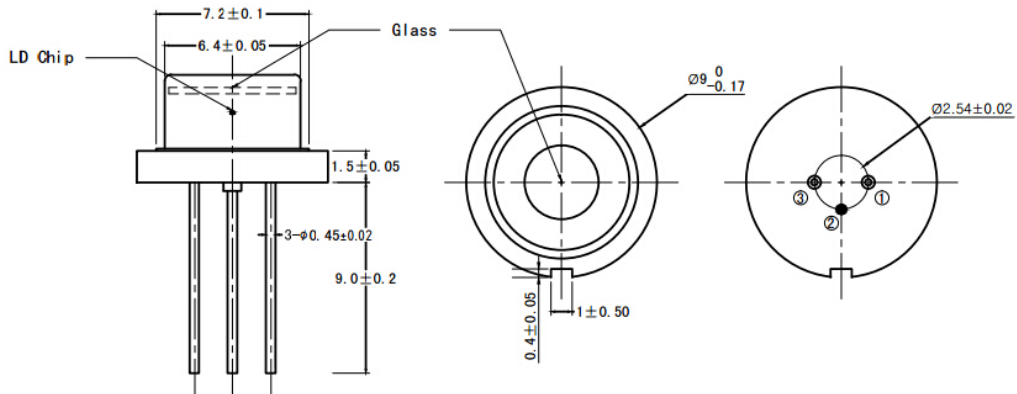
Wavespectrum laser Group.

www.wavespectrum-laser.com

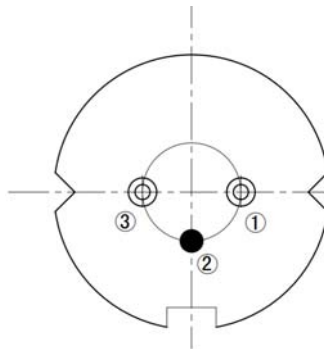
808nm Laser Diode 1W		Wavespectrum Laser Group	
Reverse Voltage	V_r	2.0	V
Operating Temperature	T_{op}	0 ~ +40	°C
Storage Temperature	T_{stg}	-40 ~ +85	°C
Lead soldering temperature (10 sec.)	T_{is}	260	°C
Features: <ul style="list-style-type: none"> ● 808nm ● 1W output Power ● TO5 package ● Built-in PD 			
Applications: <ul style="list-style-type: none"> ● Medical laser treatment ● Laser indicator ● Others 			
Specifications		WSLD-808-001-2-PD	
		Min	Type
Center Wavelength@25°C		±3nm	808nm
Spectral Width (FWHM)		----	2.5nm
Output Power		----	1W
Monitor Current		----	0.1mA
Beam Divergence (FWHM)		----	38°± x 10° // 40°± x 12° //
Temperature Coefficient of Wavelength		----	0.3nm / °C
Slope Efficiency		----	1.0W/A
Threshold Current (Typ.)		----	0.35A 0.45A
Operating Current (Typ.)		----	1.4A 1.6A
Operating Voltage		----	1.8V 2.3V
Package Style		TO5	
Recommended Operating Temperature		25°C	



TO5(9mm) Package View



PIN Bottom View:



1	LD(-)
2	LD(+) & PD(-)
3	PD(+)

Electrically shorten LD module and store in non-extreme conditions.
Suggest using the constant current power supply.

