

808nm~810nm 3W laser diodes

808nm 3w high power LD with TO 3 Can

WSLD-808-003-3

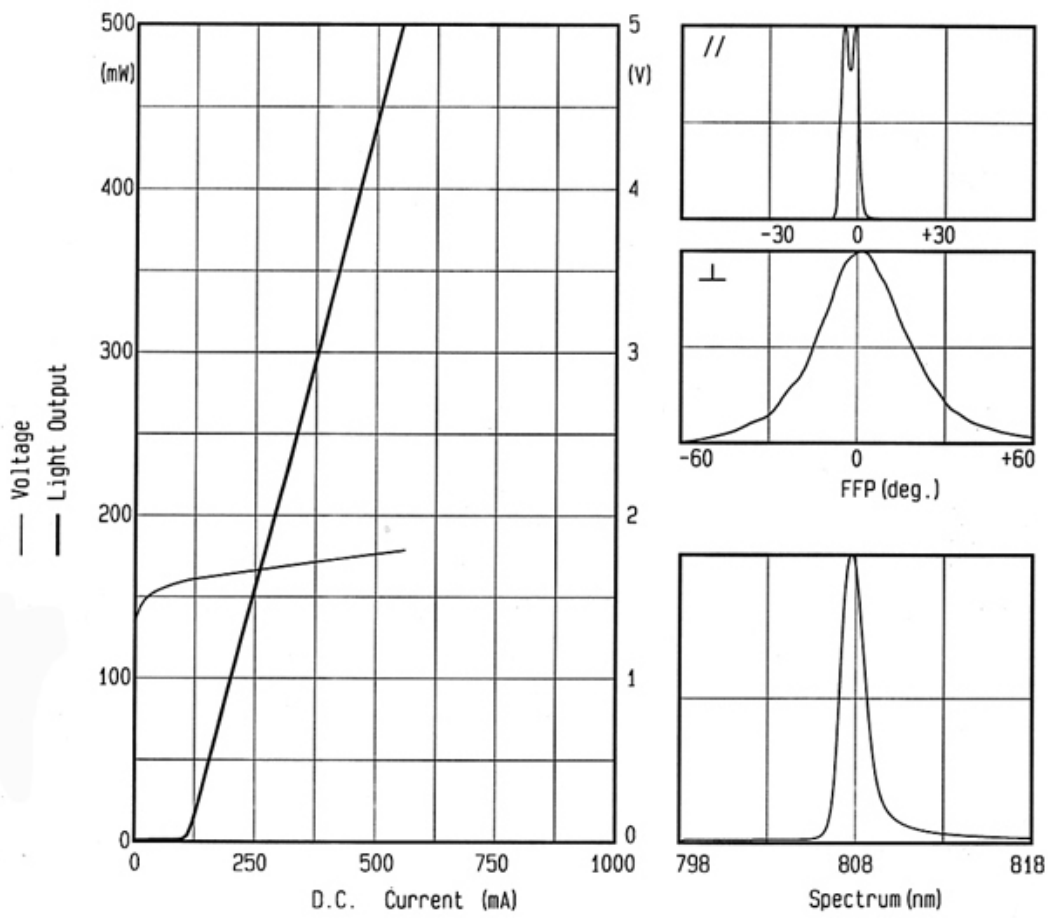
Wavespectrum laser inc.

www.wavespectrum-laser.com

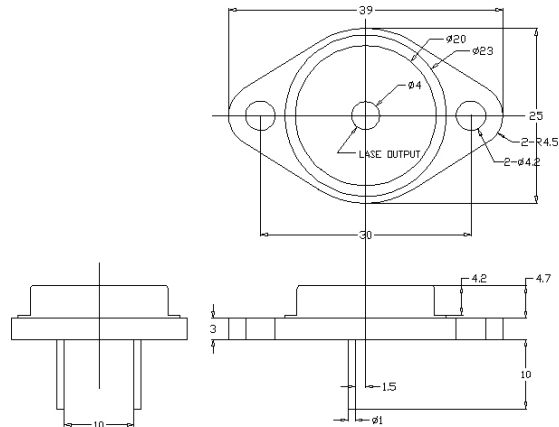
808nm Laser Diode 3W		Wavespectrum Laser, Inc	
Reverse Voltage	V_r	2.0	V
Operating Temperature	T_{op}	-10~+50	°C
Storage Temperature	T_{stg}	-40 ~ +85	°C
Lead soldering temperature (10 sec.)	T_{is}	260	°C
Features: <ul style="list-style-type: none"> ● 808nm ● High power ,CW, Multi-mode ● TO3 package 			
Applications: <ul style="list-style-type: none"> ● Medical laser treatment ● Laser indicator ● Laser detector 			
Specifications	WSLD-808-003-3		
	Min	Type	Max
Center Wavelength@25°C	+/-3nm	808nm	+/-10nm
Spectral Width (FWHM)	----	3.0nm	5.0nm
Output Power	----	3W	----
Emitter Area	100x1µm or 150x1µm		
Beam Divergence (FWHM)	----	36° _± x 10° _{//}	40° _± x 12° _{//}
Temperature Coefficient of Wavelength	----	0.28nm / °C	----
Slope Efficiency	----	1.0W/A	----
Threshold Current (Typ.)	----	0.5A	0.7A
Operating Current (Typ.)	----	3.2A	3.5A
Operating Voltage	----	2.0V	2.2V
Package Style	TO3		



Spectrum



T03 Package View



Electrically shorten LD module and store in non-extreme conditions.

Suggest using the constant current power supply.



Please contact us:

Website: www.wavespectrum-laser.com (for more detailed information)

Email: info@wavespectrum-laser.com (for inquiry about this product)

