

808nm~810nm 5W laser diodes with TO3 package

808nm 5w high power LD

WSLD-808-005-3

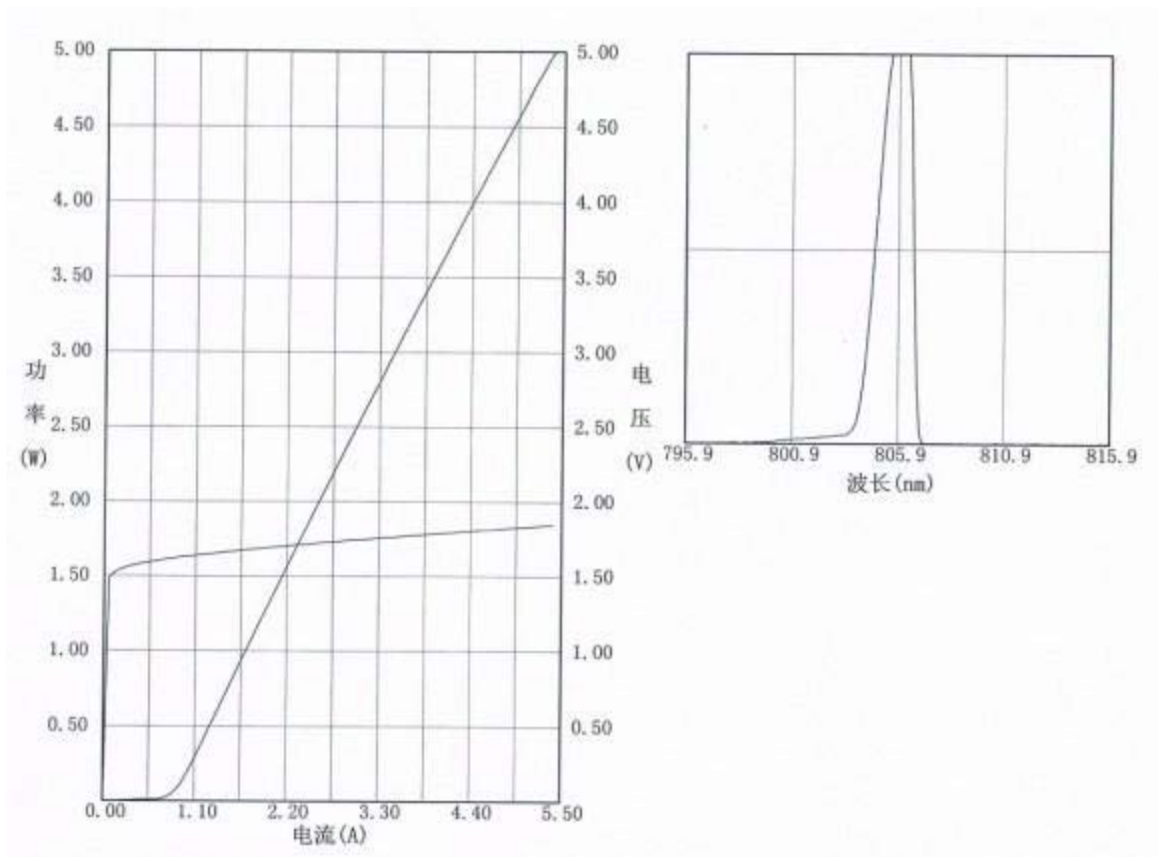
Wavespectrum laser inc.

www.wavespectrum-laser.com

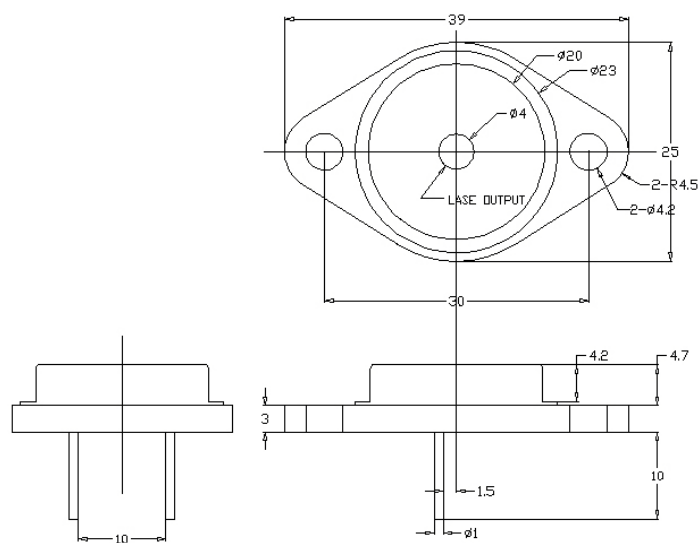
808nm Laser Diode 5W		Wavespectrum Laser, Inc	
Reverse Voltage	V_r	2.0	V
Operating Temperature	T_{op}	-10~+50	°C
Storage Temperature	T_{stg}	-20 ~ +85	°C
Lead soldering temperature (10 sec.)	T_{is}	250	°C
Features: <ul style="list-style-type: none"> • 808nm • High power ,CW, Muti-mode • TO3,C-mount package 			
Applications: <ul style="list-style-type: none"> • Medical laser treatment • Pumping Laser • Night Vision • Others 			
Specifications	WSLD-808-005-3		
	Min	Type	Max
Center Wavelength@25°C	+/-3nm	808nm	+/-10nm
Spectral Width (FWHM)	----	3.0nm	----
Output Power	----	5W	----
Emitter Area	----	200x1μm	----
Beam Divergence (FWHM)	----	36°± x 10°//	40°± x 12°//
Temperature Coefficient of Wavelength	----	0.28nm / °C	----
Slope Efficiency	----	1.0W/A	----
Threshold Current (Typ.)	----	1.0A	1.1A
Operating Current (Typ.)	----	----	5.5A
Operating Voltage	----	2.0V	2.2V
Package Style	TO3		
Recommend Work Temperature	25°C		



PVI Curve



TO3 Package View



Electrically shorten LD module and store in non-extreme conditions.

Suggest using the constant current power supply.



Please contact us:

Website: www.wavespectrum-laser.com (for more detailed information)

Email: info@wavespectrum-laser.com (for inquiry about this product)

