

## 808nm~810nm 10W laser diodes |TO 3 package

### 808nm 10W LD |High Power Laser Diode

WSLD-808-010-3

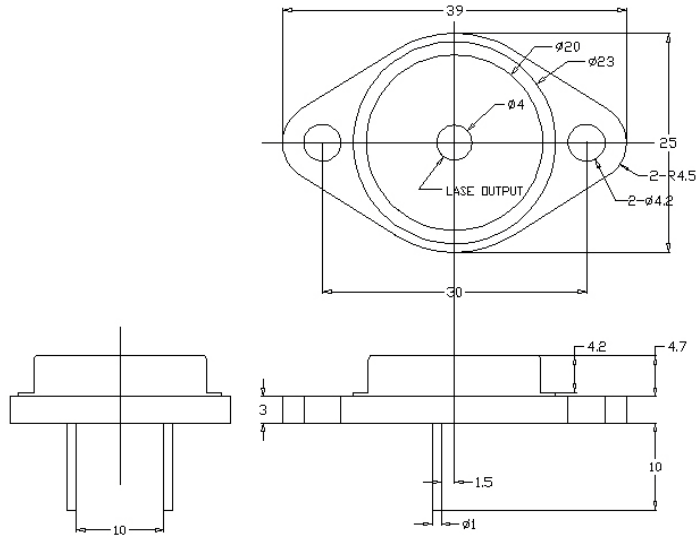
Wavespectrum laser inc.

www.wavespectrum-laser.com

808nm Laser Diode 10W		Wavespectrum Laser, Inc	
Reverse Voltage	$V_r$	2.0	V
Operating Temperature	$T_{op}$	-10~+30	°C
Storage Temperature	$T_{stg}$	-20 ~ +85	°C
Lead soldering temperature (10 sec.)	$T_{is}$	250	°C
<b>Features:</b> <ul style="list-style-type: none"> <li>808nm</li> <li>10W High power</li> <li>TO3 Package</li> <li>Long Lifetime</li> </ul>			
<b>Applications:</b> <ul style="list-style-type: none"> <li>Medical laser treatment</li> <li>Laser indicator</li> <li>Pumping</li> <li>Others</li> </ul>			
<b>Specifications</b>		<b>WSLD-808-010-3</b>	
		<b>Min</b>	<b>Type</b>
Center Wavelength@25°C		+/-3nm	808nm
Spectral Width (FWHM)		----	3nm
Output Power		----	10W
Emitter Area		----	400x1μm
Beam Divergence (FWHM)		----	32°± x 9°//
Temperature Coefficient of Wavelength		----	0.3nm / °C
Slope Efficiency		----	0.9W/A
Threshold Current (Typ.)		----	1A
Operating Current (Typ.)		----	12A
Operating Voltage		----	1.9V
Package Style		TO 3	
FAC Lens		Optional	



## TO3 Package View



Electrically shorten LD module and store in non-extreme conditions.

Suggest using the constant current power supply.



Please contact us:

Website: [www.wavespectrum-laser.com](http://www.wavespectrum-laser.com) (for more detailed information)

Email: [info@wavespectrum-laser.com](mailto:info@wavespectrum-laser.com) (for inquiry about this product)

