

## 808nm~810nm 10W laser diodes |C mount package

### 808nm 10W LD |High Power Laser Diode

WSLD-808-010-C

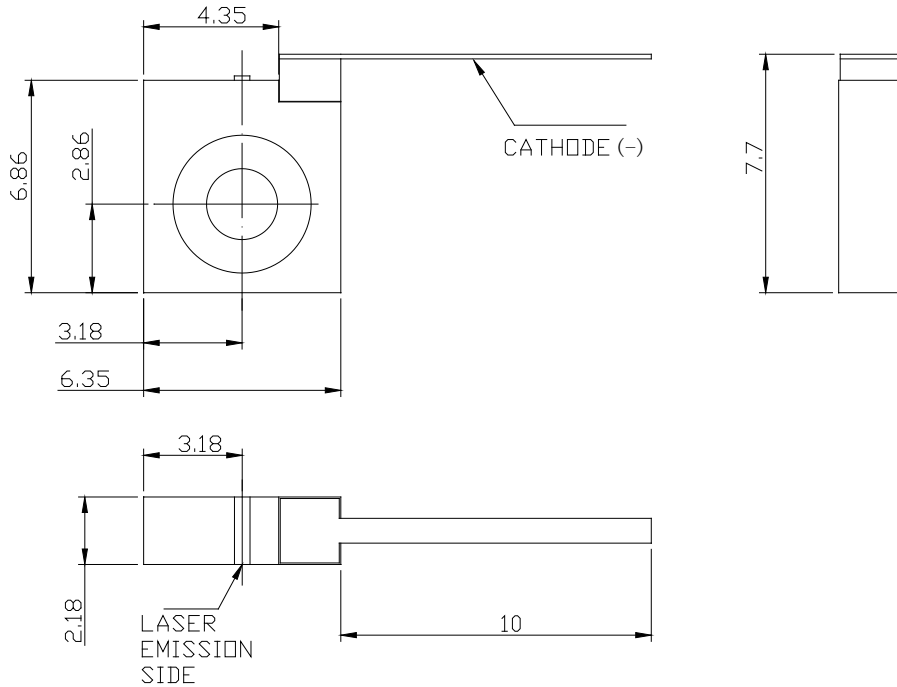
Wavespectrum laser inc.

www.wavespectrum-laser.com

808nm Laser Diode 10W		Wavespectrum Laser, Inc		
Reverse Voltage	$V_r$	2.0	V	
Operating Temperature	$T_{op}$	-10 ~ +30	°C	
Storage Temperature	$T_{stg}$	-20 ~ +85	°C	
Lead soldering temperature (10 sec.)	$T_{is}$	250	°C	
<b>Features:</b> <ul style="list-style-type: none"> <li>808nm</li> <li>High power</li> <li>C-mount or TO3 package</li> </ul>				
<b>Applications:</b> <ul style="list-style-type: none"> <li>Medical laser treatment</li> <li>Laser indicator</li> <li>Pumping</li> <li>Others</li> </ul>				
<b>Specifications</b>		<b>WSLD-808-010-C</b>		
		Min	Type	Max
Center Wavelength@25°C		+/-3nm	808nm	+/-10nm
Spectral Width (FWHM)		----	3nm	----
Output Power		----	10W	----
Emitter Area		----	400x1μm	----
Beam Divergence (FWHM)		----	32°± x 9°//	40°± x 12°//
Temperature Coefficient of Wavelength		----	0.3nm / °C	----
Slope Efficiency		----	0.9W/A	----
Threshold Current (Typ.)		----	1A	----
Operating Current (Typ.)		----	12A	----
Operating Voltage		----	1.9V	----
Package Style		C-mount		
FAC Lens		Optional		



### C-mount Package View



Electrically shorten LD module and store in non-extreme conditions.  
 Suggest using the constant current power supply.



Please contact us:

Website: [www.wavespectrum-laser.com](http://www.wavespectrum-laser.com) (for more detailed information)

Email: [info@wavespectrum-laser.com](mailto:info@wavespectrum-laser.com) (for inquiry about this product)

