

830nm 1W laser diodes TO5 9mm package

830nm 1000mw High Power LD

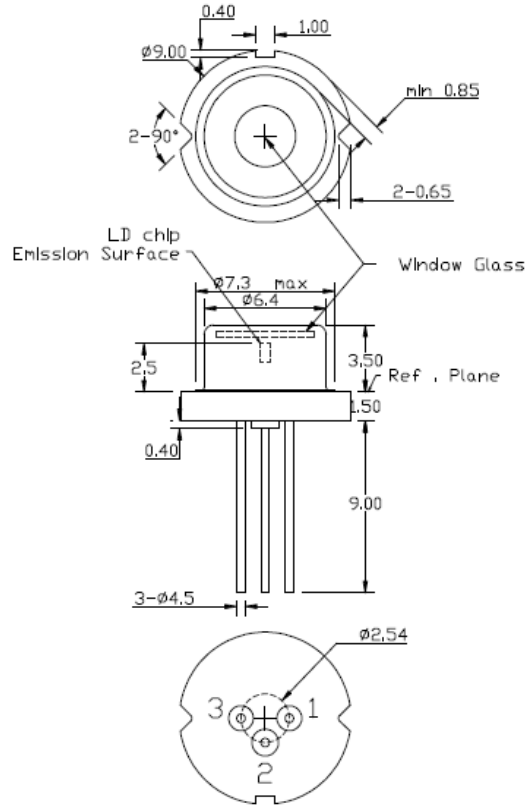
WSLD-830-001-2-PD

Wavespectrum laser inc.

www.wavespectrum-laser.com

808nm Laser Diode 1W		Wavespectrum Laser, Inc		
Reverse Voltage	V_r	2.0	V	
Operating Temperature	T_{op}	-10 ~ +30	°C	
Storage Temperature	T_{stg}	-40 ~ +85	°C	
Lead soldering temperature (10 sec.)	T_{is}	260	°C	
Features: <ul style="list-style-type: none"> 830nm TO5 package 1W Output Power Built-in PD Optional 				
Applications: <ul style="list-style-type: none"> Medical laser treatment Laser indicator Others 				
Specifications		WSLD-830-001-2-PD		
		Min	Type	Max
Center Wavelength@25°C		820nm	830nm	840nm
Spectral Width (FWHM)		----	2.5nm	----
Output Power		----	1W	----
Emitter Area		----	50x1μm	----
Beam Divergence (FWHM)		----	36°± x 10°//	40°± x 12°//
Temperature Coefficient of Wavelength		----	0.3nm / °C	----
Slope Efficiency		----	1.2W/A	----
Threshold Current (Typ.)		----	0.1A	----
Operating Current (Typ.)		----	1.2A	----
Operating Voltage		----	1.8V	----
Package Style		TO5 9mm		
Recommended Operating Temperature		25°C		



TO5(9mm) Package View


1	LD(-)
2	LD(+)&PD(-)
3	PD(+)

Electrically shorten LD module and store in non-extreme conditions.
 Suggest using the constant current power supply.



Please contact us:

Website: www.wavespectrum-laser.com (for more detailed information)

Email: info@wavespectrum-laser.com (for inquiry about this product)

