

850nm 1W High Power Laser Diode LD

850nm | TO18 Package | Laser Diode

WSLD-850-001-1

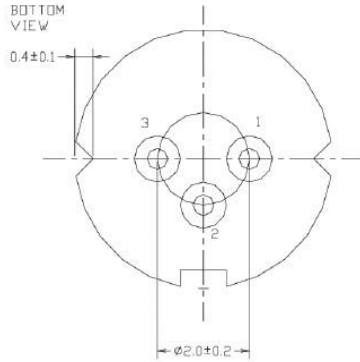
Wavespectrum Laser Group

www.wavespectrum-laser.com

850nm Laser Diode 1W		Wavespectrum Laser Group		
Reverse Voltage	V_r	2	V	
Operating Temperature	T_{op}	-10~+60	°C	
Storage Temperature	T_{stg}	-40 ~ +80	°C	
Lead soldering temperature (10 sec.)	T_{is}	260	°C	
Features: <ul style="list-style-type: none"> 850nm Multi-Mode Laser Diode TO18 Package 				
Applications: <ul style="list-style-type: none"> Medical laser treatment Laser indicator Others 				
Specifications		WSLD-850-001-1		
		Min	Type	Max
Center Wavelength@25°C		840nm	850nm	860nm
Spectral Width (FWHM)		----	2.0 nm	----
Output Power		----	1W	----
Emitter Size		----	50um*1um	----
Beam Divergence (FWHM)		----	10° \perp x 36°//	----
Monitor Current		----	----	----
Slope Efficiency		1.0mW/mA	1.2mW/mA	----
Threshold Current (Typ.)		----	240mA	----
Operating Current (Typ.)		----	1.4A	1.6A
Operating Voltage		----	2.4V	2.5V
Package Style		TO18		
Built-in Photodiodes		No		



PIN Bottom View:



1	LD(-)
2	LD(+)
3	

Electrically shorten LD module and store in non-extreme conditions.

Suggest using the constant current power supply.



Please contact us:

Website: www.wavespectrum-laser.com (for more detailed information)

Email: info@wavespectrum-laser.com (for inquiry about this product)

