

850nm 500mW Multi-mode laser diodes with Photodiode

850nm High Power LD With 500mW Output Power | TO18 5.6mm Package With PD

WSLD-850-500m-1-PD

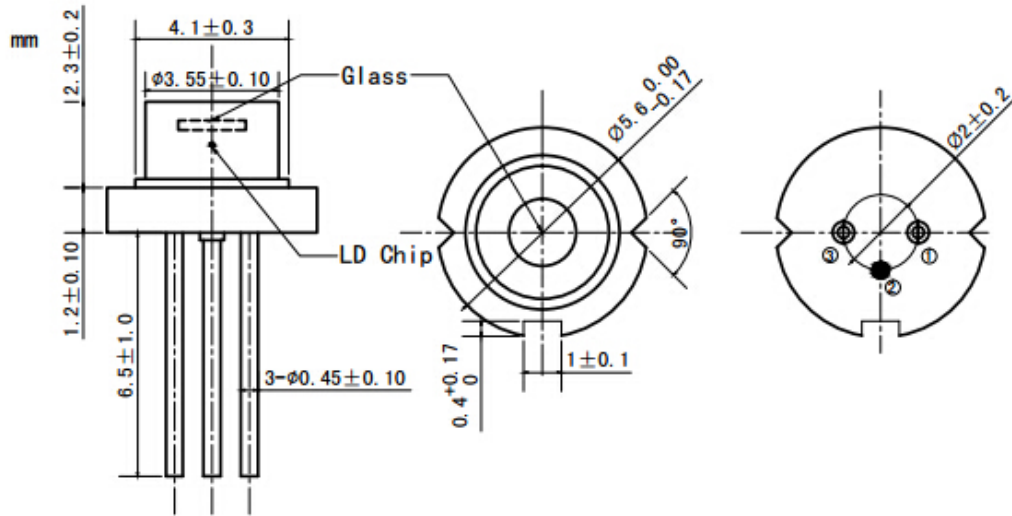
Wavespectrum laser Group

www.wavespectrum-laser.com

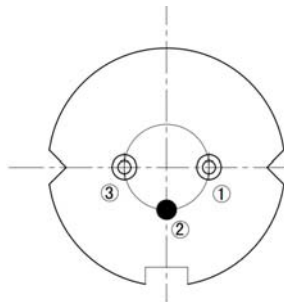
850nm Laser Diode 500mW/PD		Wavespectrum Laser Group	
Reverse Voltage	V_r	2	V
Operating Temperature	T_{op}	-10~+50	°C
Storage Temperature	T_{stg}	-40 ~ +85	°C
Lead soldering temperature (10 sec.)	T_{is}	260	°C
Features: <ul style="list-style-type: none"> ● 850nm ● CW ● Built-in PD Optional ● TO18 package 			
Applications: <ul style="list-style-type: none"> ● Medical laser treatment ● Laser indicator ● Laser detector 			
Specifications	WSLD-850-500m-1-PD		
	Min	Type	Max
Center Wavelength@25°C	840nm	850nm	860nm
Spectral Width (FWHM)	----	2.0nm	----
Output Power	----	500mW	----
Emitter	----	Single	----
Beam Divergence (FWHM)	----	$18^\circ \perp \times 12^\circ //$	$24^\circ \perp \times 17^\circ //$
Monitor Current	----	0.2mA	----
Slope Efficiency	----	0.95mW/mA	----
Threshold Current (Typ.)	----	170mA	200mA
Operating Current (Typ.)	----	680mA	700mA
Operating Voltage	----	2.0V	2.5V
Package Style	TO18		
PD	Optional		



TO18 mm Package View



PIN Bottom View:



1	LD(-)
2	LD(+)& PD(-)
3	PD(+)

Electrically shorten LD module and store in non-extreme conditions.
Suggest using the constant current power supply.

