

940nm 1W laser diodes TO5 9mm package

940nm 1000mw High Power LD

WSLD-940-001-2-PD

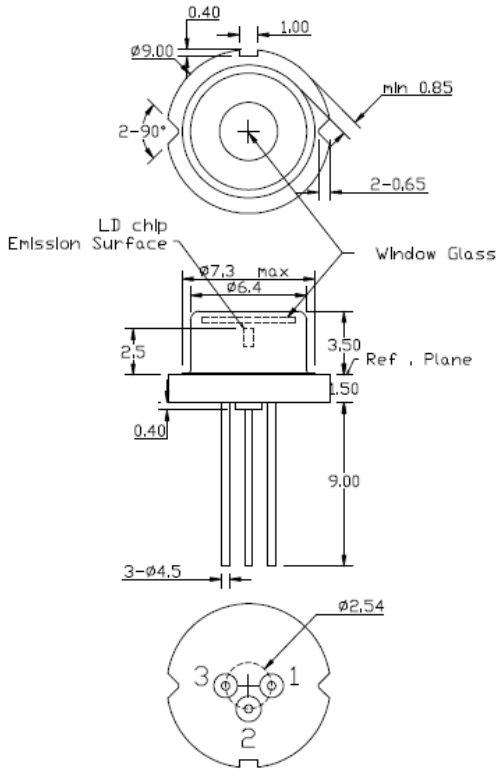
Wavespectrum laser inc.

www.wavespectrum-laser.com

940nm Laser Diode 1W		Wavespectrum Laser, Inc	
Reverse Voltage	V_r	2.0	V
Operating Temperature	T_{op}	10~+40	°C
Storage Temperature	T_{stg}	-40 ~ +85	°C
Lead soldering temperature (10 sec.)	T_{is}	260	°C
Features: <ul style="list-style-type: none"> 940nm 1W Power TO5 package Built-in PD Optional 			
Applications: <ul style="list-style-type: none"> Medical laser treatment Night Vision Others 			
Specifications		WSLD-940-001-2-PD	
		Min	Type
Center Wavelength@25°C		+/-10nm	940nm
Spectral Width (FWHM)		----	3.0nm
Output Power		----	1W
Monitor Current		----	700uA
Beam Divergence (FWHM)		----	45°± x 10°//
Temperature Coefficient of Wavelength		----	0.3nm / °C
Slope Efficiency		----	1.0W/A
Threshold Current (Typ.)		----	0.35A
Operating Current (Typ.)		----	1.8A
Operating Voltage		----	2.0V
Package Style		TO5	
Emitter Size		50um	



TO5(9mm) Package View



1	LD(-)
2	LD(+)&PD(-)
3	PD(+)

Electrically shorten LD module and store in non-extreme conditions.

Suggest using the constant current power supply.



Please contact us:

Website: www.wavespectrum-laser.com (for more detailed information)

Email: info@wavespectrum-laser.com (for inquiry about this product)

