


940nm 5W High Power LD

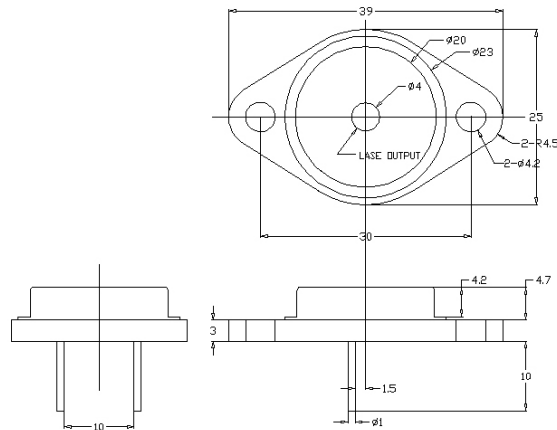
5W 940nm laser diodes with TO 3 Can

WSLD-940-005-3 Wavespectrum laser inc. www.wavespectrum-laser.com

940nm Laser Diode		5W		Wavespectrum Laser, Inc	
Reverse Voltage	V_r	2.0		V	
Operating Temperature	T_{op}	-10~+30		°C	
Storage Temperature	T_{stg}	-20 ~ +85		°C	
Lead soldering temperature (10 sec.)	T_{is}	260		°C	
Features: <ul style="list-style-type: none"> 940nm CW TO3,C-mount package 					
Applications: <ul style="list-style-type: none"> Medical laser treatment Laser indicator Laser detector 					
Specifications		WSLD-940-005-3			
		Min	Type	Max	
Center Wavelength@25°C		+/-3nm	940nm	+/-10nm	
Spectral Width (FWHM)		----	2.5nm	----	
Output Power		----	5W	----	
Emitter Area		100x1µm or 200x1µm			
Beam Divergence (FWHM)		----	36°± x 10°//	40°± x 12°//	
Temperature Coefficient of Wavelength		----	0.28nm / °C	----	
Slope Efficiency		----	1.0mW/mA	----	
Threshold Current (Typ.)		----	----	1A	
Operating Current (Typ.)		----	----	5.2A	
Operating Voltage		----	----	2.0V	
Package Style		TO3			



T03 Package View



**Electrically shorten LD module and store in non-extreme conditions.
Suggest using the constant current power supply.**



Please contact us:

Website: www.wavespectrum-laser.com (for more detailed information)

Email: info@wavespectrum-laser.com (for inquiry about this product)

