


976nm~980nm 3W LD with TO3 Can

980nm 3w high power laser diodes

WSLD-980-003-3

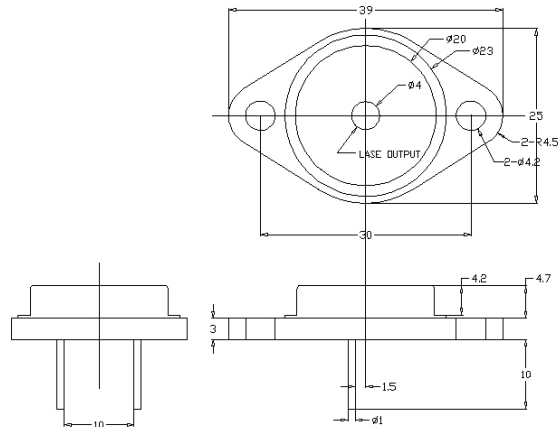
Wavespectrum laser inc.

www.wavespectrum-laser.com

| 980nm Laser Diode | | 3W | Wavespectrum Laser, Inc | |
|---|-----------|--|-------------------------|--------------|
| Reverse Voltage | V_r | 2.0 | V | |
| Operating Temperature | T_{op} | -10~+30 | °C | |
| Storage Temperature | T_{stg} | -40 ~ +85 | °C | |
| Lead soldering temperature (10 sec.) | T_{is} | 260 | °C | |
| Features: <ul style="list-style-type: none"> 980nm CW TO3 package | |  | | |
| Applications: <ul style="list-style-type: none"> Medical laser treatment Laser indicator Laser detector | | | | |
| Specifications | | WSLD-980-003-3 | | |
| | | Min | Type | Max |
| Center Wavelength@25°C | | 970nm | 980nm | 990nm |
| Spectral Width (FWHM) | | ---- | ---- | 2.5nm |
| Output Power | | ---- | 3W | ---- |
| Emitter Area | | ---- | 150x1µm | ---- |
| Beam Divergence (FWHM) | | ---- | 36°± x 10°// | 40°± x 12°// |
| Temperature Coefficient of Wavelength | | ---- | 0.28nm / °C | ---- |
| Slope Efficiency | | ---- | 1.0mW/mA | ---- |
| Threshold Current (Typ.) | | ---- | ---- | 700mA |
| Operating Current (Typ.) | | ---- | ---- | 3.2A |
| Operating Voltage | | ---- | ---- | 2.0V |
| Package Style | | TO3 | | |



T03 Package View



**Electrically shorten LD module and store in non-extreme conditions.
Suggest using the constant current power supply.**



Please contact us:

Website: www.wavespectrum-laser.com (for more detailed information)

Email: info@wavespectrum-laser.com (for inquiry about this product)

