


980nm 5W LD with TO 3 CAN

976nm~980nm 5w high power laser diodes

WSLD-980-005-3

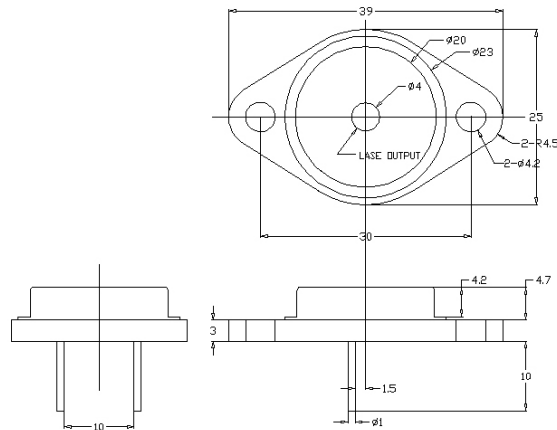
Wavespectrum laser inc.

www.wavespectrum-laser.com

980nm Laser Diode		5W		Wavespectrum Laser, Inc	
Reverse Voltage	V_r	2.0		V	
Operating Temperature	T_{op}	-10~+30		°C	
Storage Temperature	T_{stg}	-40 ~ +85		°C	
Lead soldering temperature (10 sec.)	T_{is}	260		°C	
Features: <ul style="list-style-type: none"> ● 980nm ● CW ● TO3 package 					
Applications: <ul style="list-style-type: none"> ● Medical laser treatment ● Laser indicator ● Laser detector 					
Specifications		WSLD-980-005-3			
		Min	Type	Max	
Center Wavelength@25°C		+/-3nm	980nm	+/-10nm	
Spectral Width (FWHM)		----	2.5nm	----	
Output Power		----	5W	----	
Emitter Area		----	200x1µm	----	
Beam Divergence (FWHM)		----	36°± x 10°//	----	
Temperature Coefficient of Wavelength		----	0.28nm / °C	----	
Slope Efficiency		----	1.0mW/mA	----	
Threshold Current (Typ.)		----	1A	----	
Operating Current (Typ.)		----	5.2A	----	
Operating Voltage		----	2.0V	----	
Package Style		TO3			



T03 Package View



**Electrically shorten LD module and store in non-extreme conditions.
Suggest using the constant current power supply.**



Please contact us:

Website: www.wavespectrum-laser.com (for more detailed information)

Email: info@wavespectrum-laser.com (for inquiry about this product)

