

## 980nm 500mw laser diodes 9mm Package

### 980nm 0.5w LD with TO5

WSLD-980-500m-2-PD

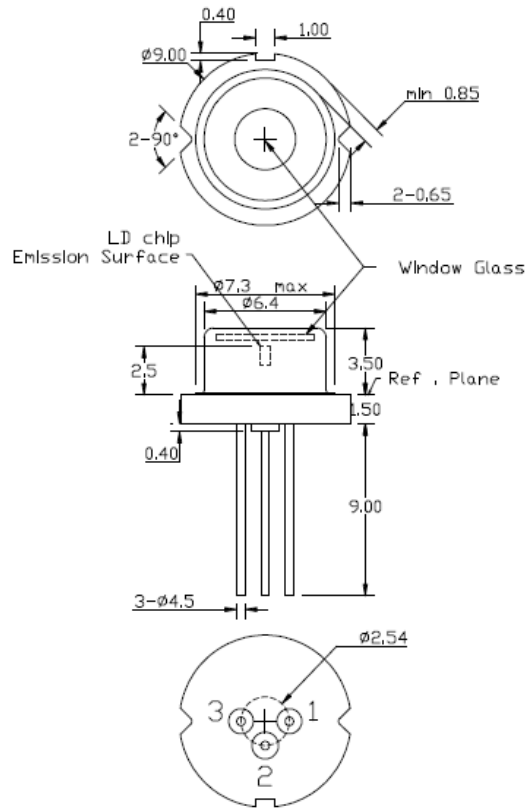
Wavespectrum laser inc.

[www.wavespectrum-laser.com](http://www.wavespectrum-laser.com)

980nm Laser Diode	500mw	Wavespectrum Laser, Inc	
Reverse Voltage	$V_r$	2.0	V
Operating Temperature	$T_{op}$	-10 ~ +40	°C
Storage Temperature	$T_{stg}$	-40 ~ +85	°C
Lead soldering temperature (10 sec.)	$T_{is}$	260	°C
<b>Features:</b> <ul style="list-style-type: none"> <li>980nm</li> <li>500mW</li> <li>TO5 package</li> <li>Built-in PD Optional</li> </ul>			
<b>Applications:</b> <ul style="list-style-type: none"> <li>Medical laser treatment</li> <li>Laser indicator</li> <li>Laser detector</li> </ul>			
<b>Specifications</b>	<b>WSLD-980-500m-2-PD</b>		
	Min	Type	Max
Center Wavelength@25°C	970nm	980nm	990nm
Spectral Width (FWHM)	----	3.0nm	----
Output Power	----	500mw	----
Emitter Area	----	50x1µm	----
Beam Divergence (FWHM)	----	48°± x 10°//	----
Temperature Coefficient of Wavelength	----	0.3nm / °C	----
Slope Efficiency	0.7mW/mA	0.8mW/mA	----
Threshold Current (Typ.)	----	----	150mA
Operating Current (Typ.)	----	----	850mA
Operating Voltage	----	----	2.0V
Package Style	TO5		
Recommended Operating Temperature	25°C		



**TO5(9mm) Package View**



<b>1</b>	<b>LD(-)</b>
<b>2</b>	<b>LD(+)&amp;PD(-)</b>
<b>3</b>	<b>PD(+)</b>

Electrically shorten LD module and store in non-extreme conditions.

Suggest using the constant current power supply.



Please contact us:

Website: [www.wavespectrum-laser.com](http://www.wavespectrum-laser.com) (for more detailed information)

Email: [info@wavespectrum-laser.com](mailto:info@wavespectrum-laser.com) (for inquiry about this product)

