

976~980nm 1W~1.5W Fiber Coupled LD with 14-pin Butterfly (BTF) Package | TEC Cooling
980nm|14-pin Butterfly | 60um 105um 200um or 400um Fiber Core| High Power Laser Diode
WSLX-980-001-H-T **Wavespectrum Laser, Inc.** **www.wavespectrum-laser.com**

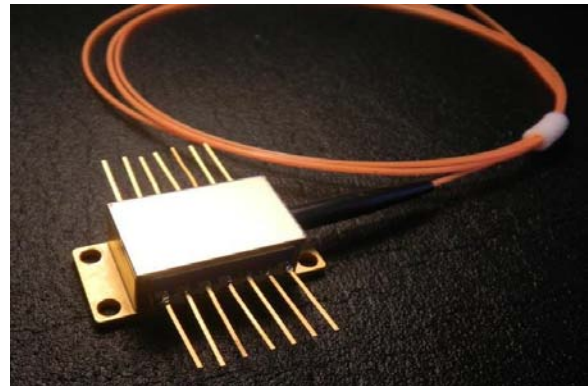
PARAMETER	SYMBOL	VALUE	UNIT
Reverse Voltage	V_r	2.0	V
Operating Temperature	T_{op}	+10 ~ +30	°C
Storage Temperature	T_{stg}	-20 ~ +85	°C
Lead soldering temperature (10 sec.)	T_{is}	260	°C

Features:

- 980nm
- 14-pin Butterfly package
- Built-in TEC Cooling
- PD Optional

Applications:

- Medical laser treatment
- Sensing
- Others



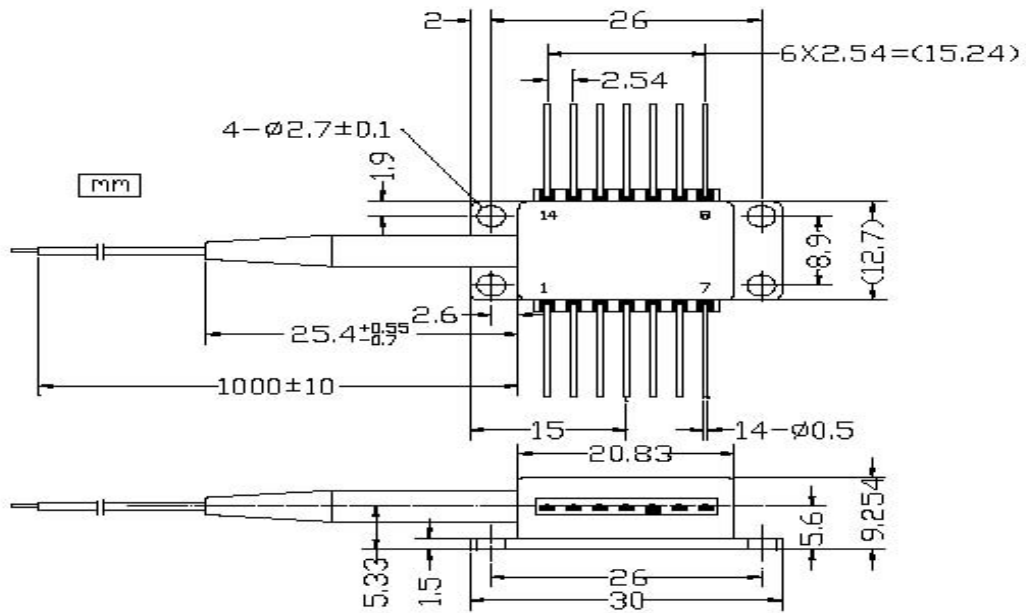
Specifications

WSLX-980-001-H-T

	Min	Type	Max
Center Wavelength@25°C	±3nm	980	±10nm
Spectral Width (FWHM)	----	1nm	2.5nm
Output Power	----	1.5W	----
Temperature Coefficient of Wavelength	0.3nm / °C		
Threshold Current (Typ.)	400mA		
Operating Current (Typ.)	2.3A		
Operating Voltage	2.0V		
Recommended Case Temperature	25°C		
TEC Max Current	1.8A		
TEC Max Voltage	2.5V		
Fiber Core	105um (200um , 400um Optional)		
N.A.	0.22 (0.12 or 0.37N.A. Optional)		
Fiber Length	80cm		
Connector Type	SMA905/ST/FC		
Package Style	14-PIN Butterfly Package		



14-Pin Package View



Pin Out

PIN	FUNCTION	PIN	FUNCTION
1	TEC (+)	8	NC
2	Thermistor	9	NC
3	PD (+)	10	LD (+)
4	PD (-)	11	LD (-)
5	Thermistor	12	NC
6	NC	13	Case Ground
7	NC	14	TEC (-)

Electrically shorten LD module and store in non-extreme conditions.

Suggest using the constant current power supply.



Wavespectrum Laser, Inc.
www.wavespectrum-laser.com
wavespectrumlaser@gmail.com

