


**1055nm 50mW MM Coaxial Pigtailed Laser Diode | with 50um 62.5um 105um MMF**

**1050nm~1055nm Fiber Coupled LD with Multimode Fiber (MM Fiber)**

**WSLP-1055-050m-M-PD**

**Wavespectrum laser Group**

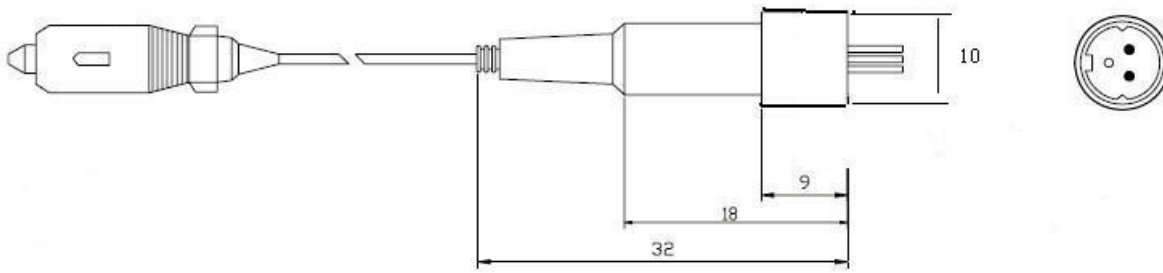
**www.wavespectrum-laser.com**

1055nm Pigtailed Diode Laser		50m W/MM Fiber		Wavespectrum Laser Group	
PARAMETER	SYMBOL	VALUE	UNIT		
Reverse Voltage	$V_r$	2.0		V	
Operating Temperature	$T_{op}$	-20 ~ +50		°C	
Storage Temperature	$T_{stg}$	-40 ~ +80		°C	
Lead soldering temperature (10 sec.)	$T_{is}$	250		°C	
<b>Features:</b> <ul style="list-style-type: none"> <li>1055nm</li> <li>Multimode Fiber</li> <li>Coaxial package</li> <li>Built-in PD</li> </ul>					
<b>Applications:</b> <ul style="list-style-type: none"> <li>Medical laser treatment</li> <li>Fiber Laser</li> <li>Others</li> </ul>					
<b>Specifications</b>		<b>WSLP-1055-050m-M-PD</b>			
	Min	Type	Max		
Center Wavelength@25°C	1050nm	1055nm	1060nm		
Recommend Operating Temperature	25°C				
Output Power	----	50mw	----		
Fiber Type	Multimode Fiber				
Fiber Core	62.5um (50um ,105um Optional)				
Monitor Current	----	0.5mA	----		
PD Reverse Voltage	----	30V	----		
Fiber Connector	FC				
Fiber Length	----	80cm	100cm		
Threshold Current (Typ.)	----	35mA	75mA		
Operating Current (Typ.)	----	170mA	200mA		
Operating Voltage	----	1.5V	2.2V		
Package Style	Coaxial				
Photodiodes	Built-in				

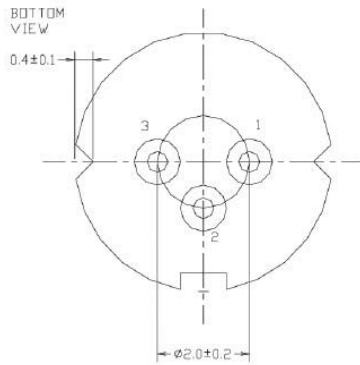


### Coaxial Package View

Unit: mm



### PIN Bottom View:



<b>1</b>	<b>LD(+)</b>
<b>2</b>	<b>LD(-)&amp;PD(+)</b>
<b>3</b>	<b>PD(-)</b>

Electrically shorten LD module and store in non-extreme conditions.  
 Suggest using the constant current power supply.



Wavespectrum Laser, Inc.  
[www.wavespectrum-laser.com](http://www.wavespectrum-laser.com)  
[wavespectrumlaser@gmail.com](mailto:wavespectrumlaser@gmail.com)

