

532nm 50mW Fiber Coupled Laser

532nm |Coaxial Package Pigtailed Green Laser| 50um 60um Fiber Core

WSLP -532-050m-M-PD

Wavespectrum Laser Group

www.wavespectrum-laser.com

| PARAMETER | SYMBOL | VALUE | UNIT |
|--------------------------------------|-----------|-----------|------|
| Reverse Voltage | V_r | 2.0 | V |
| Operating Temperature | T_{op} | +10 ~ +30 | °C |
| Storage Temperature | T_{stg} | -20 ~ +80 | °C |
| Lead soldering temperature (10 sec.) | T_{is} | 260 | °C |

Features:

- 532nm
- Built-in PD
- TEC Cooling Optional

Applications:

- Medical laser treatment
- Others



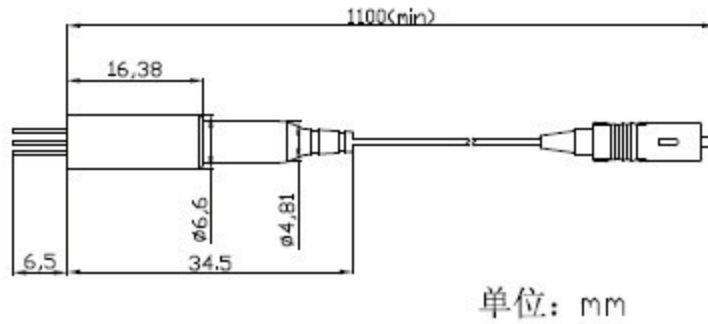
Specifications

WSLP-532-050m-M-PD

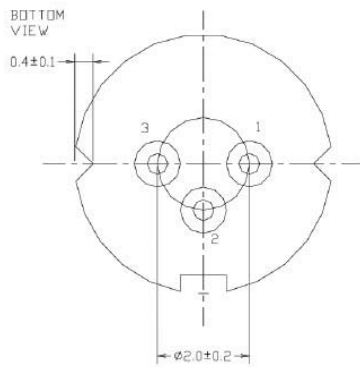
| | Min. | Type | Max. |
|---------------------------------|-----------------------------------|-------|------|
| Center Wavelength@25°C | ---- | 532nm | ---- |
| Spectral Width (FWHM) | ---- | 3nm | ---- |
| Output Power | ---- | 50mW | ---- |
| Recommend Operating Temperature | 20 °C | | |
| Threshold Current (Typ.) | ---- | 150mA | ---- |
| Operating Current (Typ.) | ---- | 500mA | ---- |
| Operating Voltage | | 2V | |
| TEC Cooling | Optional | | |
| Fiber Core Diameter | 50um (105um 200um 400um Optional) | | |
| Fiber Numerical Aperture | 0.22 | | |
| Fiber Length | 100cm | | |
| Connector Type | SMA905/FC | | |



Coaxial Package View



PIN Bottom View:



| | |
|---|--------------|
| 1 | LD(-) |
| 2 | LD(+)& PD(-) |
| 3 | PD(+) |

Electrically shorten LD module and store in non-extreme conditions.
Suggest using the constant current power supply.

