


635nm~640nm 5mW Fiber Coupled Laser Diode

635nm pigtailed LD| Coaxial Package| MM Fiber| Built-in PD

WSLP-635-005m-M-PD

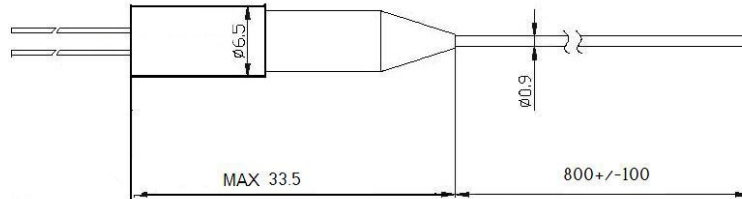
Wavespectrum laser inc.

www.wavespectrum-laser.com

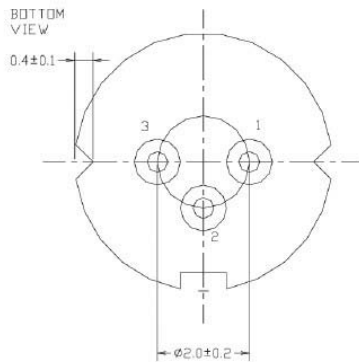
635nm Pigtailed Diode Laser		5mW/MM Fiber		Wavespectrum Laser, Inc	
PARAMETER	SYMBOL	VALUE		UNIT	
Reverse Voltage	V_r	2.0		V	
Operating Temperature	T_{op}	-10 ~ +40		°C	
Storage Temperature	T_{stg}	-40 ~ +85		°C	
Lead soldering temperature (10 sec.)	T_{is}	260		°C	
Features: <ul style="list-style-type: none"> 635nm MM Fiber Coaxial package Built-in PD 					
Applications: <ul style="list-style-type: none"> Medical laser treatment Others 					
Specifications		WSLP-635-005m-M-PD			
	Min	Type	Max		
Center Wavelength@25°C	630nm	635nm	640nm		
Spectral Width (FWHM)	----	2.0nm	----		
Output Power	----	5mw	----		
Fiber Core	62.5um (50um 105um Optional)				
Recommended Operating Temperature	25°C				
Monitor Current	0.03mA	0.12mA	0.5mA		
PD Reverse Voltage	----	30V	----		
Fiber Connector	FC (SMA905 Optional)				
Fiber Length	----	80cm	100cm		
Threshold Current (Typ.)	----	30mA	35mA		
Operating Current (Typ.)	----	55mA	65mA		
Operating Voltage	----	2.2V	2.5V		
Package Style	Coaxial				



Coaxial Package View



PIN Bottom View:



1	LD(-)
2	LD(+)&PD(-)
3	PD(+)

Electrically shorten LD module and store in non-extreme conditions.
Suggest using the constant current power supply.

