


635nm 10mW MM Fiber Coupled Laser Diodes (LD)

635nm MM Coaxial Pigtail diode laser

WSLP-635-010m-M-PD

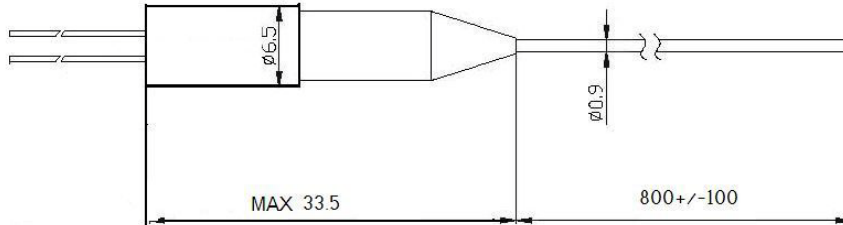
Wavespectrum laser inc.

www.wavespectrum-laser.com

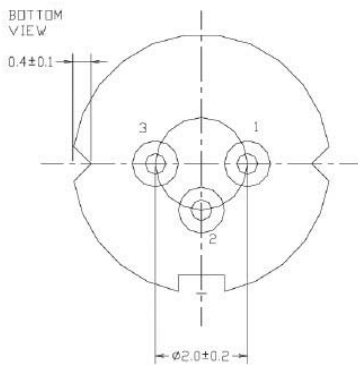
635nm Pigtailed Diode Laser		10mW/MM Fiber		Wavespectrum Laser, Inc	
PARAMETER	SYMBOL	VALUE	UNIT		
Reverse Voltage	V_r	2.0	V		
Operating Temperature	T_{op}	-10 ~ +40	°C		
Storage Temperature	T_{stg}	-40 ~ +85	°C		
Lead soldering temperature (10 sec.)	T_{is}	260	°C		
Features: <ul style="list-style-type: none"> • 635nm • MM Fiber • Coaxial package • Built-in PD 					
Applications: <ul style="list-style-type: none"> • Medical laser treatment • Others 					
Specifications	WSLP-635-010m-M-PD				
	Min	Type	Max		
Center Wavelength@25°C	630nm	639nm	645nm		
Spectral Width (FWHM)	----	2.0nm	----		
Output Power	----	10mw	----		
Fiber Core	62.5um (50um 105um Optional)				
Slope Efficiency	----	0.5mW/mA	1.2mW/mA		
Monitor Current	----	0.1mA	0.5mA		
PD Reverse Voltage	----	30V	----		
Fiber Connector	FC (SMA905 Optional)				
Fiber Length	----	80cm	100cm		
Threshold Current (Typ.)	----	70mA	100mA		
Operating Current (Typ.)	----	120mA	160mA		
Operating Voltage	----	2.3V	2.7V		
Package Style	Coaxial				
Receptacle Package	Optional				



Coaxial Package View



PIN Bottom View:



1	LD(-)
2	LD(+)&PD(-)
3	PD(+)

Electrically shorten LD module and store in non-extreme conditions.
Suggest using the constant current power supply.

