

635nm 400mW~500mW MM Fiber Coupled Laser Diodes

630nm~638nm| 50um 105um 200um Multimode Fiber |Coaxial Pigtailed LD

WSLP-635-400m-M

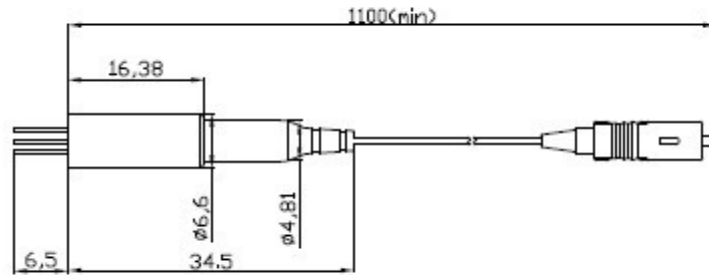
Wavespectrum Laser Group

www.wavespectrum-laser.com

635nm Pigtailed Diode Laser		400mW/MM Fiber		Wavespectrum Laser Group	
PARAMETER	SYMBOL	VALUE	UNIT		
Reverse Voltage	V_r	2.0	V		
Operating Temperature	T_{op}	-5 ~ +40	°C		
Storage Temperature	T_{stg}	-40 ~ +90	°C		
Lead soldering temperature (10 sec.)	T_{is}	260	°C		
Features: <ul style="list-style-type: none"> • 635nm • Multimode Fiber • CW and Pulsed Mode • Coaxial Package • Detachable Package Optional 					
Applications: <ul style="list-style-type: none"> • Medical laser treatment • Others 					
Specifications	WSLP-635-400m-M				
	Min	Type	Max		
Center Wavelength@25°C	630nm	637nm	642nm		
Spectral Width (FWHM)	----	2.0nm	----		
Wavelength Drifting (nm/°C)	----	0.2nm/°C	----		
Output Power(CW Mode)	----	400mw	----		
Output Power (Pulsed Mode)	----	800mW	----		
Pulsed Conditions	Pulse Duty <=33% ; Frequency >=50HZ				
Fiber Core	105um (50um ,200um Optional)				
Recommended Operating Temperature	25°C				
Fiber Connector	FC (SMA905 Optional)				
Fiber Length	----	80cm	100cm		
Threshold Current (Typ.)	----	160mA	200mA		
Operating Current (Typ.)	700mA	750mA	800mA		
Operating Voltage	----	2.2V	2.5V		
TEC Cooler	Optional				
Package Style	Coaxial (Fiber Detachable Package Optional)				

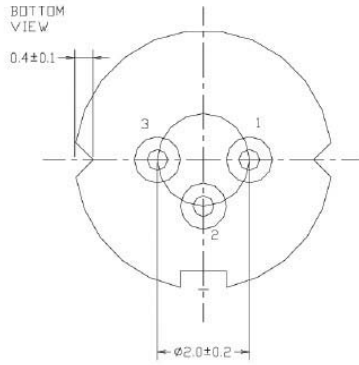


Coaxial Package View



单位: mm

PIN Bottom View:



1	LD(+)
2	GND
3	LD(-)

Electrically shorten LD module and store in non-extreme conditions.

Suggest using the constant current power supply.

