
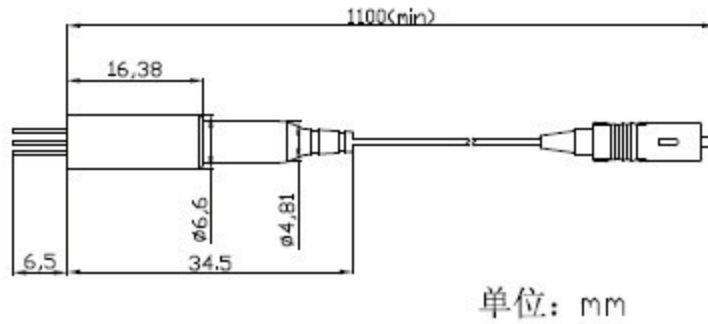


670nm 5mw Fiber Coupled Laser Diode (LD) | Built-in PD
670nm Pigtailed Coaxial Laser Diode with MMF| 50um 62.5um 105um Optional
WSLP-670-005m-M-PD
Wavespectrum Laser Group
www.wavespectrum-laser.com

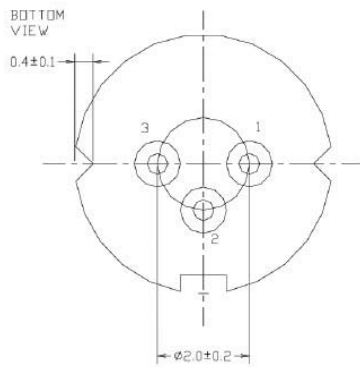
670nm Pigtailed Diode Laser		5mW/MM Fiber		Wavespectrum Laser, Inc	
PARAMETER	SYMBOL	VALUE	UNIT		
Reverse Voltage	V_r	2.0	V		
Operating Temperature	T_{op}	-10~+70	°C		
Storage Temperature	T_{stg}	-40 ~ +85	°C		
Lead soldering temperature (10 sec.)	T_{is}	260	°C		
Features: <ul style="list-style-type: none"> • 670nm • MM Fiber • Built-in PD • Receptacle Package Optional 					
Applications: <ul style="list-style-type: none"> • Medical laser treatment • Aiming • Others 					
Specifications		WSLP-670-005m-M-PD			
	Min	Type	Max		
Center Wavelength@25°C	660nm	670nm	680nm		
Spectral Width (FWHM)	----	2.0nm	3.0nm		
Output Power	----	5mW	----		
Fiber Core	62.5um (50um 105um Optional)				
Recommend Operating Temperature	25°C				
Monitor Current	0.1mA	0.2mA	0.5mA		
PD Reverse Voltage	----	30V	----		
Fiber Connector	FC (SMA905 Optional)				
Fiber Length	----	80cm	100cm		
Threshold Current (Typ.)	----	20mA	40mA		
Operating Current (Typ.)	----	40mA	80mA		
Operating Voltage	----	2.3V	2.6V		
Package Style	Coaxial				



Coaxial Package View



PIN Bottom View:



1	LD(-)
2	LD(+)&PD(-)
3	PD(+)

Electrically shorten LD module and store in non-extreme conditions.
Suggest using the constant current power supply.



Wavespectrum Laser, Inc.
www.wavespectrum-laser.com
wavespectrumlaser@gmail.com

