


**685nm 15mW~20mW Fiber Coupled Laser Diodes with MM Fiber**

**680nm~685nm MM Pigtailed LD | Built-in PD**

**WSLP-685-015m-M-PD**

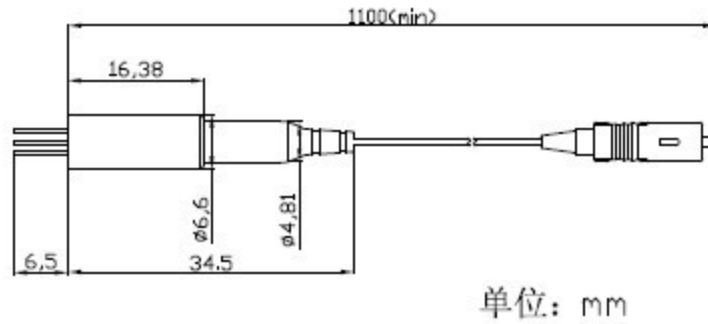
**Wavespectrum Laser Group**

**www.wavespectrum-laser.com**

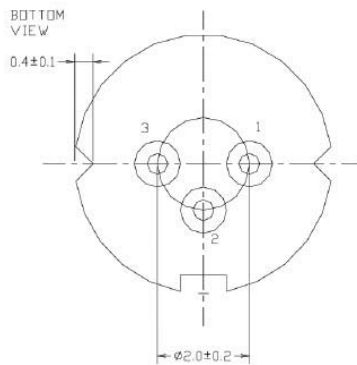
685nm Pigtailed Diode Laser		15mW/MM Fiber		Wavespectrum Laser, Inc	
PARAMETER	SYMBOL	VALUE		UNIT	
Reverse Voltage	$V_r$	2.0		V	
Operating Temperature	$T_{op}$	-10~+60		°C	
Storage Temperature	$T_{stg}$	-40 ~ +85		°C	
Lead soldering temperature (10 sec.)	$T_{is}$	260		°C	
<b>Features:</b> <ul style="list-style-type: none"> <li>685nm</li> <li>MM Fiber</li> <li>Coaxial package</li> <li>Built-in PD</li> </ul>					
<b>Applications:</b> <ul style="list-style-type: none"> <li>Medical laser treatment</li> <li>Other</li> </ul>					
<b>Specifications</b>		<b>WSLP-685-015m-M-PD</b>			
		Min	Type	Max	
Center Wavelength@25°C		670nm	685nm	700nm	
Spectral Width (FWHM)		----	----	----	
Output Power		15mW	----	20mW	
Fiber Core		62.5um (105um Optional)			
Recommended Operating Temperature		25°C			
Monitor Current		0.05mA	0.3mA	2.5mA	
PD Reverse Voltage		----	30V	----	
Fiber Connector		FC (SMA905 Optional)			
Fiber Length		----	80cm	100cm	
Threshold Current (Typ.)		----	35mA	60mA	
Operating Current (Typ.)		----	100mA	140mA	
Operating Voltage		2.0V	2.7V	3.0V	
Package Style		Coaxial			



### Coaxial Package View



### PIN Bottom View:



<b>1</b>	<b>PD(+)</b>
<b>2</b>	<b>LD(+)&amp;PD(-)</b>
<b>3</b>	<b>LD(-)</b>

Electrically shorten LD module and store in non-extreme conditions.  
Suggest using the constant current power supply.



Wavespectrum Laser, Inc.  
www.wavespectrum-laser.com  
wavespectrumlaser@gmail.com

