


780nm 50mw~60mw Pigtail Laser Diode Module with MMF

780nm~785nm MM Fiber Coupled LD with Coaxial Package | PD | 50um 60um 105um MM Fiber

WSLP-785-050m-M-PD

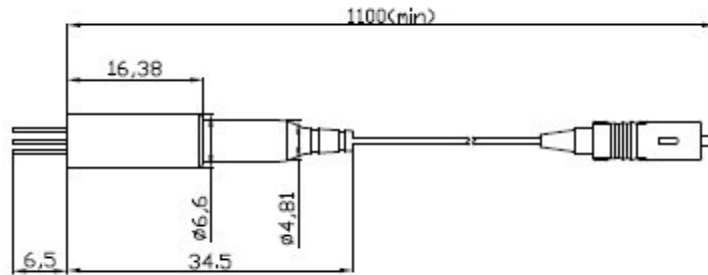
Wavespectrum laser inc.

www.wavespectrum-laser.com

785nm Pigtailed Diode Laser		50mW/MM Fiber		Wavespectrum Laser, Inc	
PARAMETER	SYMBOL	VALUE		UNIT	
Reverse Voltage	V_r	2.0		V	
Operating Temperature	T_{op}	-10 ~ +50		°C	
Storage Temperature	T_{stg}	-40 ~ +85		°C	
Lead soldering temperature (10 sec.)	T_{is}	260		°C	
Features: <ul style="list-style-type: none"> • 785nm • MM Fiber • Coaxial package • Built-in PD 					
Applications: <ul style="list-style-type: none"> • Medical laser treatment • Others 					
Specifications		WSLP-785-050m-M-PD			
		Min	Type	Max	
Center Wavelength@25°C		775nm	785nm	795nm	
Spectral Width (FWHM)		----	2.0nm	----	
Output Power		----	50mw	----	
Fiber Core		62.5um (50um 105um Optional)			
Recommended Operating Temperature		25°C			
Monitor Current		0.1mA	0.25mA	0.6mA	
PD Reverse Voltage		----	30V	----	
Fiber Connector		FC (SMA905 Optional)			
Fiber Length		----	80cm	100cm	
Threshold Current (Typ.)		----	30mA	50mA	
Operating Current (Typ.)		----	100mA	140mA	
Operating Voltage		----	2.0V	2.8V	
Package Style		Coaxial			
Fiber Detachable Package		Optional			

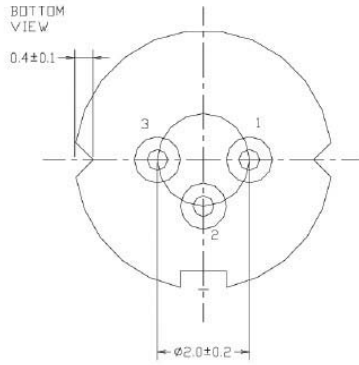


Coaxial Package View



单位: mm

PIN Bottom View:



1	LD(-)
2	LD(+)&PD(-)
3	PD(+)

Electrically shorten LD module and store in non-extreme conditions.

Suggest using the constant current power supply.

