


## 780nm~785nm 100mW Pigtailed Laser Diode Module with MMF

780nm Fiber Coupled LD with Coaxial Package |50um 62.5um 105um MM Fiber

WSLP-785-100m-M

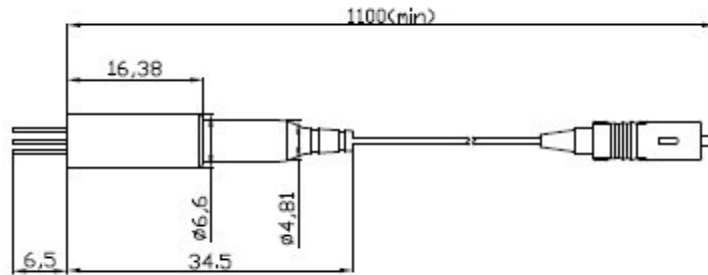
Wavespectrum Laser Group

www.wavespectrum-laser.com

785nm Pigtailed Diode Laser		100m W/MM Fiber		Wavespectrum Laser, Inc	
PARAMETER	SYMBOL	VALUE	UNIT		
Reverse Voltage	$V_r$	2.0		V	
Operating Temperature	$T_{op}$	-10 ~ +40		°C	
Storage Temperature	$T_{stg}$	-40 ~ +85		°C	
Lead soldering temperature (10 sec.)	$T_{is}$	260		°C	
<b>Features:</b> <ul style="list-style-type: none"> <li>785nm</li> <li>MM Fiber</li> <li>Coaxial package</li> </ul>					
<b>Applications:</b> <ul style="list-style-type: none"> <li>Medical laser treatment</li> <li>Others</li> </ul>					
<b>Specifications</b>		<b>WSLP-785-100m-M</b>			
	Min	Type	Max		
Center Wavelength@25°C	775nm	785nm	795nm		
Spectral Width (FWHM)	----	----	----		
Output Power	----	100mw	----		
Fiber Core	62.5um (50um 105um Optional)				
Recommended Operating Temperature	25°C				
Monitor Current	----	----	----		
PD Reverse Voltage	----	----	----		
Fiber Connector	FC (SMA905 Optional)				
Fiber Length	----	80cm	100cm		
Threshold Current (Typ.)	----	37mA	----		
Operating Current (Typ.)	----	180mA	----		
Operating Voltage	----	2.3V	----		
Package Style	Coaxial				
Fiber Detachable Package	Optional				

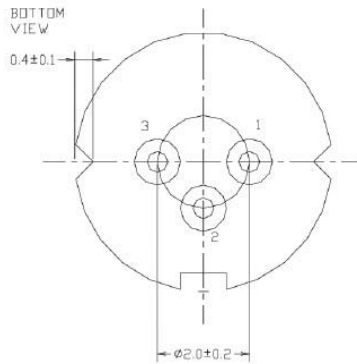


**Coaxial Package View**



单位: mm

**PIN Bottom View:**



<b>1</b>	<b>LD(+)</b>
<b>2</b>	<b>LD(-) &amp; Case</b>
<b>3</b>	<b>NC</b>

Electrically shorten LD module and store in non-extreme conditions.  
Suggest using the constant current power supply.

