


**800nm 30mw MM Fiber Coupled Laser Diode with MMF|50um 62.5um 105um 200um**

**800nm | 30mw Output Power| Multimode Fiber Pigtailed LD | Built-in PD**

**WSLP-800-030m-M-PD**

**Wavespectrum Laser Group**

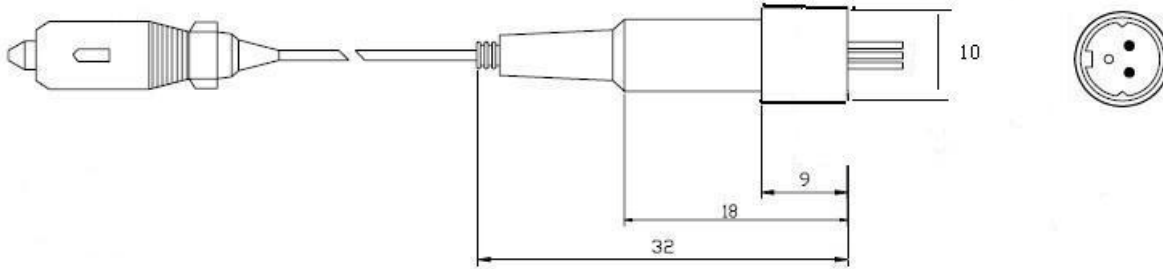
**www.wavespectrum-laser.com**

800nm Pigtailed Diode Laser		30mW/MM Fiber		Wavespectrum Laser Group	
PARAMETER	SYMBOL	VALUE	UNIT		
Reverse Voltage	$V_r$	2.0		V	
Operating Temperature	$T_{op}$	-10~+60		°C	
Storage Temperature	$T_{stg}$	-40 ~ +80		°C	
Lead soldering temperature (10 sec.)	$T_{is}$	260		°C	
<b>Features:</b> <ul style="list-style-type: none"> <li>800nm</li> <li>Multimode Fiber</li> <li>Coaxial package</li> <li>Built-in PD</li> </ul>					
<b>Applications:</b> <ul style="list-style-type: none"> <li>Medical laser treatment</li> <li>Sensor</li> <li>Others</li> </ul>					
<b>Specifications</b>		<b>WSLP-800-030m-M-PD</b>			
	Min	Type	Max		
Center Wavelength@25°C	+/-1nm	800nm	+/-3nm		
Recommend Operating Temperature	25°C				
Output Power	----	30mw	----		
Fiber Type	Multimode Fiber				
Fiber Core	62.5um (60um 105um Optional)				
Monitor Current	----	0.2mA	0.5mA		
PD Reverse Voltage	----	30V	----		
Fiber Connector	FC				
Fiber Length	----	80cm	100cm		
Threshold Current (Typ.)	----	16mA	25mA		
Operating Current (Typ.)	----	80mA	100mA		
Operating Voltage	----	1.9V	2.3V		
Package Style	Coaxial				
Photodiode	Built-in				

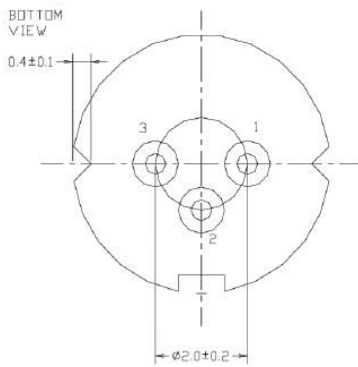


### Coaxial Package View

Unit: mm



### PIN Bottom View:



1	LD(-)
2	LD(+)&PD(-)
3	PD(+)

Electrically shorten LD module and store in non-extreme conditions.  
Suggest using the constant current power supply.



Wavespectrum Laser, Inc.  
www.wavespectrum-laser.com  
wavespectrumlaser@gmail.com

