

830nm 15mw~20mw Coaxial Pigtailed Laser Diode

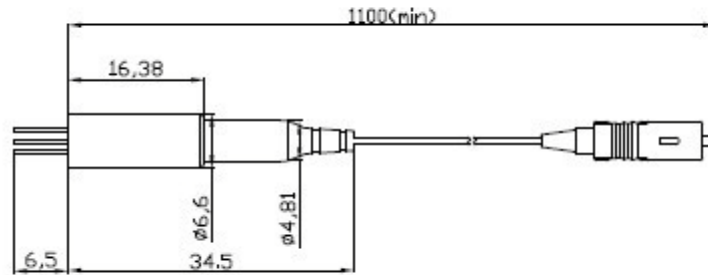
830nm Fiber Coupled LD| 50um 60um 105um MM Fiber| Built-in PD

WSLP-830-015m-M-PD

830nm Pigtailed Diode Laser		15mW/MM Fiber		Wavespectrum Laser, Inc	
PARAMETER	SYMBOL	VALUE		UNIT	
Reverse Voltage	V_r	2.0		V	
Operating Temperature	T_{op}	-10 ~ +40		°C	
Storage Temperature	T_{stg}	-40 ~ +85		°C	
Lead soldering temperature (10 sec.)	T_{is}	260		°C	
Features: <ul style="list-style-type: none"> 830nm MM Fiber Coaxial package Built-in PD 					
Applications: <ul style="list-style-type: none"> Medical laser treatment Sensor Others 					
Specifications		WSLP-830-015m-M-PD			
	Min	Type	Max		
Center Wavelength@25°C	820nm	830nm	840nm		
Spectral Width (FWHM)	----	2nm	3nm		
Output Power	----	15mw	20mw		
Fiber Core	62.5um (50um 105um Optional)				
Recommended Operating Temperature	25°C				
Monitor Current	----	0.3mA	----		
PD Reverse Voltage	----	30V	----		
Fiber Connector	FC (SMA905 Optional)				
Fiber Length	----	80cm	100cm		
Threshold Current (Typ.)	----	23mA	30mA		
Operating Current (Typ.)	----	63mA	73mA		
Operating Voltage	----	1.7V	2.3V		
Package Style	Coaxial				

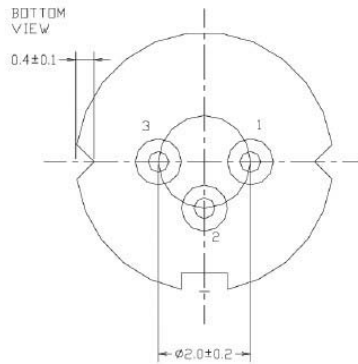


Coaxial Package View



单位: mm

PIN Bottom View:



1	LD(-)
2	LD(+)&PD(-)
3	PD(+)

Electrically shorten LD module and store in non-extreme conditions.
Suggest using the constant current power supply.



Wavespectrum Laser, Inc.
www.wavespectrum-laser.com
wavespectrumlaser@gmail.com

