


905nm 5mW MM Coaxial Pigtailed Laser Diode (LD) |Built-in PD
905nm Fiber Coupled LD with MMF |50um 60um 105um MM Fiber

WSLP-905-005m-M-PD

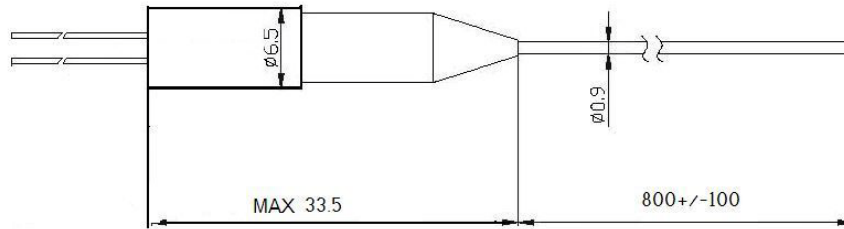
Wavespectrum Laser Group

www.wavespectrum-laser.com

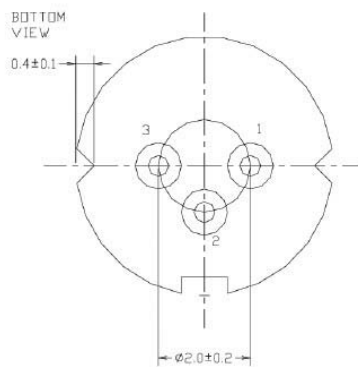
905nm Pigtailed Diode Laser		5mW/MM Fiber		Wavespectrum Laser, Inc	
PARAMETER	SYMBOL	VALUE	UNIT		
Reverse Voltage	V_r	2.0	V		
Operating Temperature	T_{op}	-10 ~ +70	°C		
Storage Temperature	T_{stg}	-40 ~ +85	°C		
Lead soldering temperature (10 sec.)	T_{is}	250	°C		
Features: <ul style="list-style-type: none"> • 905nm • MM Fiber • Coaxial package • Built-in PD 					
Applications: <ul style="list-style-type: none"> • Medical laser treatment • Communication • Others 					
Specifications	WSLP-905-005m-M-PD				
	Min	Type	Max		
Center Wavelength@25°C	885nm	905nm	915nm		
Recommended Operating Temperature	25°C				
Output Power	----	5mW	----		
Fiber Core	62.5um (105um Optional)				
Slope Efficiency	0.3mW/mA	0.5mW/mA	0.7mW/mA		
Monitor Current	----	0.4mA	0.6mA		
PD Reverse Voltage	----	30V	----		
Fiber Connector	FC (SMA905 Optional)				
Fiber Length	----	80cm	100cm		
Threshold Current (Typ.)	----	12mA	25mA		
Operating Current (Typ.)	----	35mA	60mA		
Operating Voltage	----	1.8V	2.3V		
Package Style	Coaxial				



Coaxial Package View



PIN Bottom View:



1	LD(-)
2	LD(+)&PD(-)
3	PD(+)

Electrically shorten LD module and store in non-extreme conditions.
Suggest using the constant current power supply.

