


**976nm~980nm 100mW Coaxial Pigtail LD with MMF**

**980nm Fiber Coupled Laser Diode |50um 60um 105um MMF| Built-in PD**

WSLP-980-100m-M-PD

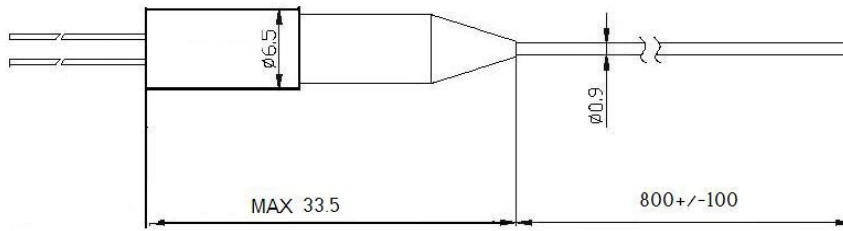
Wavespectrum Laser Group

www.wavespectrum-laser.com

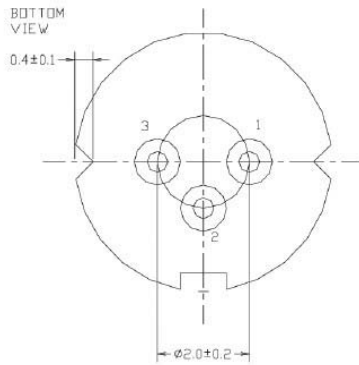
980nm Pigtailed Diode Laser		100m W/MM Fiber		Wavespectrum Laser, Inc	
PARAMETER	SYMBOL	VALUE	UNIT		
Reverse Voltage	$V_r$	2.0	V		
Operating Temperature	$T_{op}$	-10 ~ +40	°C		
Storage Temperature	$T_{stg}$	-40 ~ +85	°C		
Lead soldering temperature (10 sec.)	$T_{is}$	260	°C		
<b>Features:</b> <ul style="list-style-type: none"> <li>980nm</li> <li>MM Fiber</li> <li>Coaxial package</li> <li>Built-in PD</li> </ul>					
<b>Applications:</b> <ul style="list-style-type: none"> <li>Medical laser treatment</li> <li>Printing</li> </ul>					
<b>Specifications</b>	<b>WSLP-980-100m-M-PD</b>				
	Min	Type	Max		
Center Wavelength@25°C	970nm	980nm	990nm		
Spectral Width (FWHM)	----	2.0nm	3.0nm		
Output Power	----	100mW	----		
Fiber Core	105 um				
Recommend Operating Temperature	25°C				
Monitor Current	----	2000uA	----		
PD Reverse Voltage	----	30V	----		
Fiber Connector	FC (SMA905 Optional)				
Fiber Length	----	80cm	100cm		
Threshold Current (Typ.)	----	55mA	----		
Operating Current (Typ.)	----	350mA	----		
Operating Voltage	----	1.9V	2.2V		
Package Style	Coaxial				



### Coaxial Package View



### PIN Bottom View:



<b>1</b>	<b>LD(-)</b>
<b>2</b>	<b>LD(+)&amp;PD(-)</b>
<b>3</b>	<b>PD(+)</b>

Electrically shorten LD module and store in non-extreme conditions.  
Suggest using the constant current power supply.



Wavespectrum Laser, Inc.  
www.wavespectrum-laser.com  
wavespectrumlaser@gmail.com

