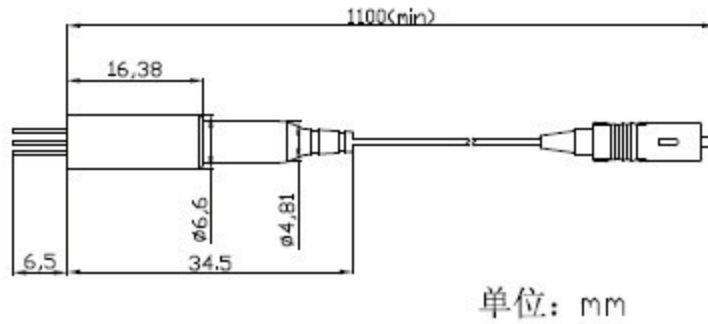


**450nm 1W~1.2W Fiber Coupled LD| TEC Cooling Optional| Blue Laser Diode| HHL Package**  
**445nm~450nm Pigtailed Laser Diode|40um 50um 60um 105um MM Fiber| PD Optional**  
**WSLX-445-001-H**                      **Wavespectrum Laser Group**                      **www.wavespectrum-laser.com**

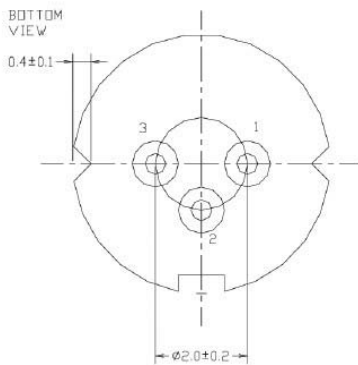
445nm Pigtailed Diode Laser		1W/MM Fiber		Wavespectrum Laser, Inc	
PARAMETER	SYMBOL	VALUE	UNIT		
Reverse Voltage	$V_r$	5.0	V		
Operating Temperature	$T_{op}$	0 ~ +70	°C		
Storage Temperature	$T_{stg}$	-40 ~ +85	°C		
Lead soldering temperature (10 sec.)	$T_{is}$	260	°C		
<b>Features:</b> <ul style="list-style-type: none"> <li>• 445nm</li> <li>• UV MM Fiber</li> <li>• TEC Cooling Optional</li> <li>• Photodiodes Optional</li> </ul>					
<b>Applications:</b> <ul style="list-style-type: none"> <li>• Medical laser treatment</li> <li>• Printing</li> <li>• Others</li> </ul>					
<b>Specifications</b>		<b>WSLX-445-001-H</b>			
	Min	Type	Max		
Center Wavelength@25°C	440nm	445nm	460nm		
Spectral Width (FWHM)	----	3.0nm	----		
Output Power	----	1W	1.2W		
Fiber Type	UV MM Fiber				
Fiber Core	50um (60um ,105um, 200um,400um,800um Optional)				
Recommended Operating Temperature	20°C				
Fiber Connector	FC/ST/SMA905				
Fiber Length	----	80cm	100cm		
Threshold Current (Typ.)	----	250mA	500mA		
Operating Current (Typ.)	----	1.4A	1.6A		
Operating Voltage	----	5.5V	6.5V		
Package Style	Coaxial				
Built-in Photodiode	Optional				
Built-in TE Cooling	Optional				



**Coaxial Package View**



**PIN Bottom View:**



<b>1</b>	<b>LD(+)</b>
<b>2</b>	<b>GND</b>
<b>3</b>	<b>LD(-)</b>

Electrically shorten LD module and store in non-extreme conditions.  
Suggest using the constant current power supply.



Wavespectrum Laser, Inc.  
www.wavespectrum-laser.com  
wavespectrumlaser@gmail.com

