

**635nm 2.5W~3W HHL Package Fiber Coupled LD(Laser Diode) Module**

630nm~635nm|HHL Package| 400um Fiber Core| High Power Red LD|TEC Cooling

WSLB-635-003-H

Wavespectrum Laser, Inc.

www.wavespectrum-laser.com

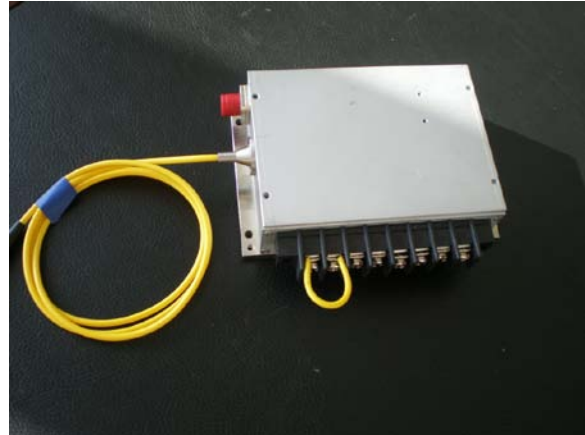
PARAMETER	SYMBOL	VALUE	UNIT
Reverse Voltage	$V_r$	2.0	V
Operating Temperature	$T_{op}$	+10 ~ +30	°C
Storage Temperature	$T_{stg}$	-20 ~ +80	°C
Lead soldering temperature (10 sec.)	$T_{is}$	260	°C

**Features:**

- 635nm
- **Built-in** TEC Cooling
- Photodiodes Optional
- Stainless Steel Armor Optional

**Applications:**

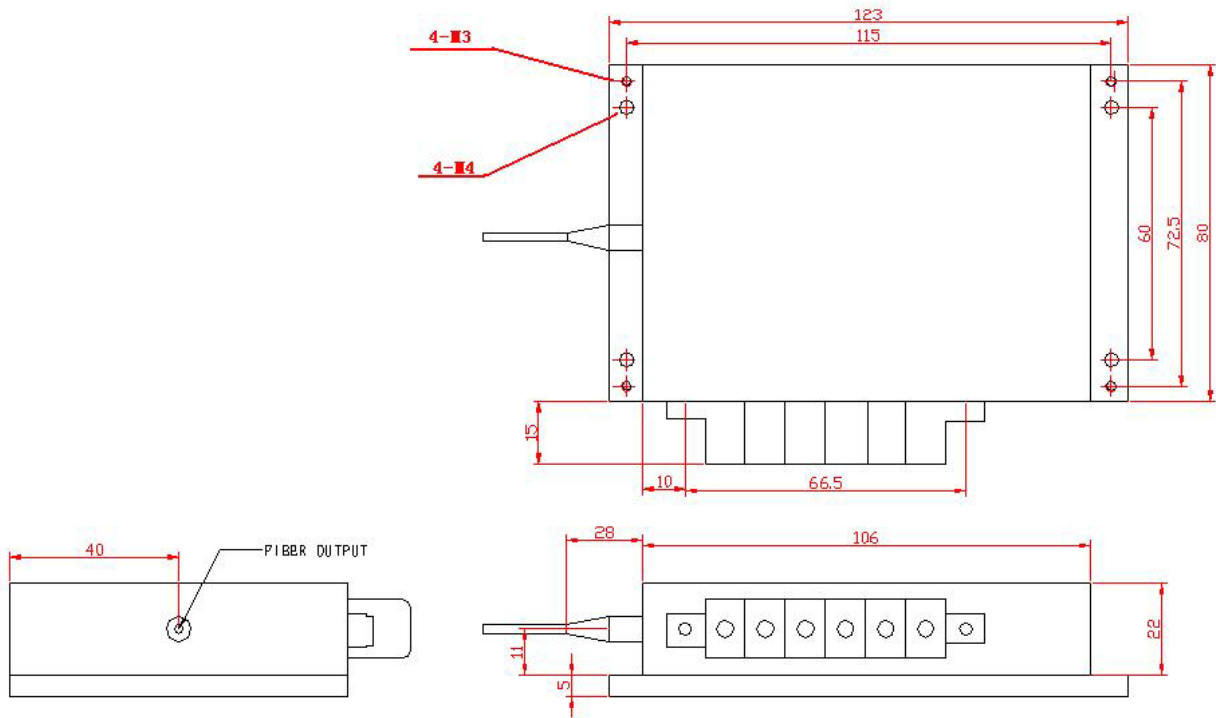
- Medical laser treatment
- Others



Specifications	WSLB-635-003-H		
	Min.	Type	Max.
Center Wavelength@25°C	----	635±10nm	----
Spectral Width (FWHM)	----	3nm	----
Output Power	----	2.5W	----
Temperature Coefficient of Wavelength	----	0.3nm / °C	----
Threshold Current (Typ.)	----	750mA	----
Operating Current (Typ.)	----	1200mA	----
Operating Voltage		18V	
Cooling	TEC Cooling		
Fiber Core Diameter	400um		
Fiber Numerical Aperture	0.22		
Fiber Length	100cm		
Connector Type	SMA905/ST/FC		
Package	P2 Package		



Package View



PIN	1	2	3	4	5	6
	LD(+)	LD(-)	RT	RT	TEC(-)	TEC(+)

Wavespectrum offer **Customized 635nm Fiber Coupled LD.**

Please let me know your special request:

- Customized Output Power
- Customized Fiber
- Customized Fiber Connector


Contact us with [info@wavespectrum-laser.com](mailto:info@wavespectrum-laser.com)

Electrically shorten LD module and store in non-extreme conditions.


Suggest using the constant current power supply.

**Caution**

On operation, if optical connectors are unterminated, modules can emit invisible laser radiation. Radiation emitted by laser devices can be dangerous to the eyes. Avoided eye or skin exposure to direct or scattered radiation



INVISIBLE LASER RADIATION  
AVOID DIRECT EXPOSURE TO BEAM



Invisible Laser Radiation  
 Avoid Direct Exposure to  
 Beam  
 Class 2b Laser Product

Wavespectrum Laser, Inc.  
[www.wavespectrum-laser.com](http://www.wavespectrum-laser.com)  
[wavespectrumlaser@gmail.com](mailto:wavespectrumlaser@gmail.com)

