

808nm 28W~30W Fiber Coupled Laser Diode (LD) Module with HHL Package | Red Aiming Beam optional  
 808nm~810nm|28W Power| HHL Package| 400um Fiber Core| High Power LD|  
 WSLB-808-028-H Wavespectrum Laser Group www.wavespectrum-laser.com

PARAMETER	SYMBOL	VALUE	UNIT
Reverse Voltage	$V_r$	2.0	V
Operating Temperature	$T_{op}$	+10 ~ +30	°C
Storage Temperature	$T_{stg}$	-20 ~ +80	°C
Lead soldering temperature (10 sec.)	$T_{is}$	260	°C

**Features:**

- 808nm
- CW mode
- Aiming Beam Optional
- Stainless Steel Armor Optional

**Applications:**

- Medical laser treatment
- Pumping
- Others



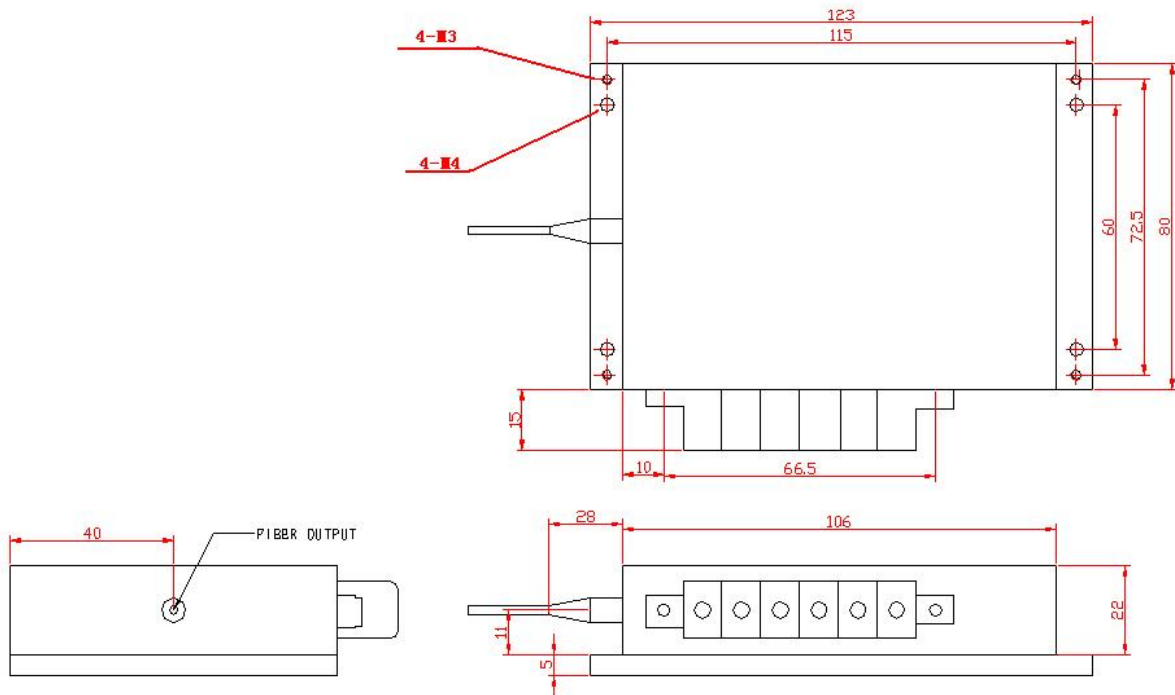
**Specifications**

**WSLB-808-028-H**

	Min.	Type	Max.
Center Wavelength@25°C	±3nm	808nm	±10nm
Spectral Width (FWHM)	----	6nm	----
Output Power	----	28W	----
Temperature Coefficient of Wavelength	----	0.3nm / °C	----
Threshold Current (Typ.)	----	1.0A	----
Operating Current (Typ.)	----	9.0A	----
Operating Voltage		7.5V	
Fiber Core Diameter	<400um		
Fiber Numerical Aperture	0.22		
Fiber Length	100cm		
Connector Type	FC (SMA905 Optional)		
Package	P2 Package		
Aiming Beam	Optional		



Package View



Wavespectrum offer **Customized 808nm Fiber Coupled LD.**

Please let me know your special request:

- Customized Output Power
- Customized Fiber
- Customized Fiber Connector

Contact us with [info@wavespectrum-laser.com](mailto:info@wavespectrum-laser.com)

Electrically shorten LD module and store in non-extreme conditions.

Suggest using the constant current power supply.



Wavespectrum Laser Group  
[www.wavespectrum-laser.com](http://www.wavespectrum-laser.com)  
[sales@wavespectrum-laser.com](mailto:sales@wavespectrum-laser.com)

