

830nm 10W~12W Fiber Coupled Laser Diode (LD) Module with HHL Package | Aiming Beam

820nm~830nm|12W Power| HHL Package| 400um Fiber Core| High Power LD|TEC Cooling

WSLB-830-012-H

Wavespectrum Laser Group

www.wavespectrum-laser.com

PARAMETER	SYMBOL	VALUE	UNIT
Reverse Voltage	V_r	2.0	V
Operating Temperature	T_{op}	+10 ~ +30	°C
Storage Temperature	T_{stg}	-20 ~ +80	°C
Lead soldering temperature (10 sec.)	T_{is}	260	°C

Features:

- 830nm
- **Built-in** TEC Cooling Optional
- Red Aiming Beam Optional
- Photodiodes Optional
- Stainless Steel Armor Optional

Applications:

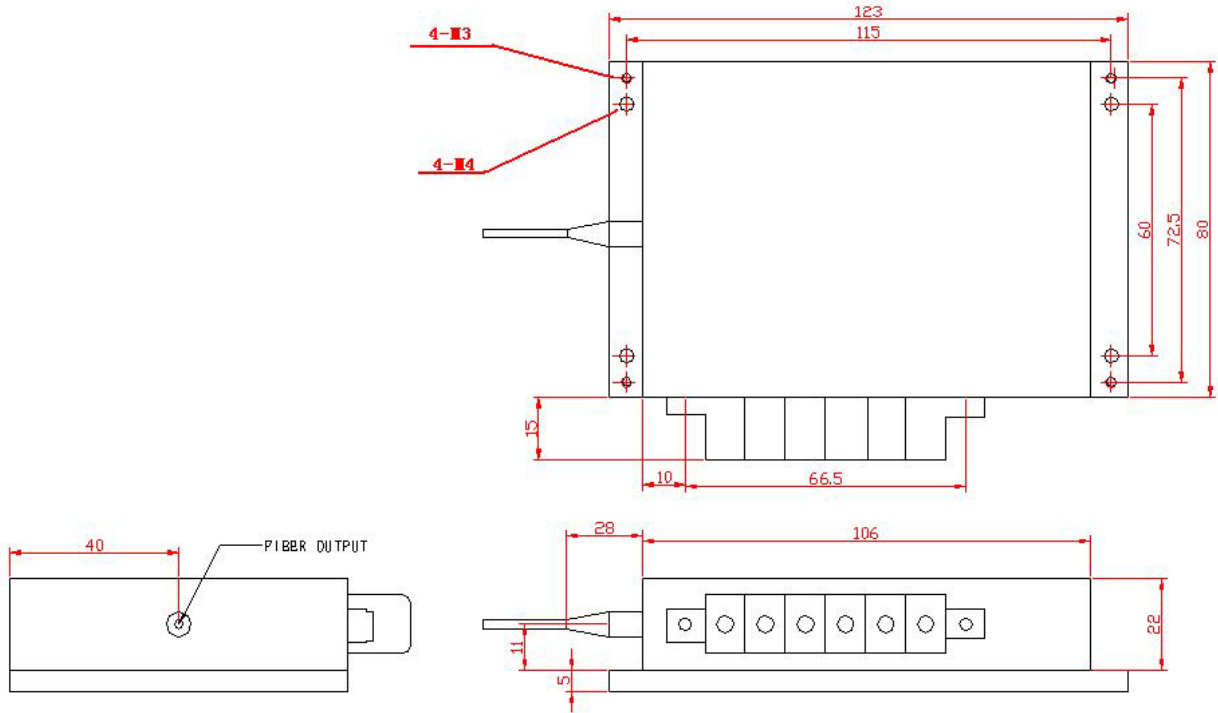
- Medical laser treatment
- Pumping
- Others



Specifications	WSLB-830-012-H		
	Min.	Type	Max.
Center Wavelength@25°C	±3nm	830nm	±10nm
Spectral Width (FWHM)	----	3nm	----
Output Power	----	12W	----
Temperature Coefficient of Wavelength	----	0.3nm / °C	----
Threshold Current (Typ.)	----	800mA	----
Operating Current (Typ.)	----	3.5A	----
Operating Voltage	---	12V	---
Cooling	TEC Cooling Optional		
Fiber Core Diameter	375um		
Fiber Numerical Aperture	0.22		
Fiber Length	100cm		
Connector Type	SMA905/ST/FC		
Package	P2 Package		
Aiming Beam	Red (blue , green Optional)		



Package View



PIN	1	2	3	4	5	6
	LD(+)	LD(-)	RT	RT	TEC(-)	TEC(+)

Wavespectrum offer **Customized 830nm Fiber Coupled LD.**

Please let me know your special request:

- Customized Output Power
- Customized Fiber
- Customized Fiber Connector

Contact us with info@wavespectrum-laser.com

Electrically shorten LD module and store in non-extreme conditions.

Suggest using the constant current power supply.



Wavespectrum Laser, Inc.
www.wavespectrum-laser.com
wavespectrumlaser@gmail.com

