

840nm~850nm 2W~3W Fiber Coupled Laser Diode (LD) Module with TEC Cooling
850nm|3W Power| HHL Package| 300um Fiber Core| High Power LD|TEC Cooling
WSLB-850-003-H
Wavespectrum Laser Group
www.wavespectrum-laser.com

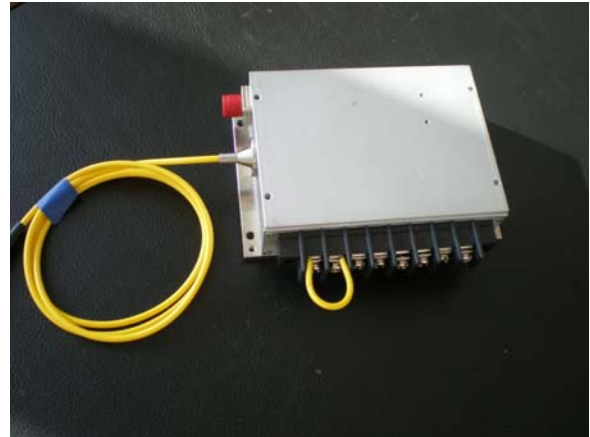
PARAMETER	SYMBOL	VALUE	UNIT
Reverse Voltage	V_r	2.0	V
Operating Temperature	T_{op}	+10 ~ +30	°C
Storage Temperature	T_{stg}	-20 ~ +80	°C
Lead soldering temperature (10 sec.)	T_{is}	260	°C

Features:

- 850nm
- Built-in TEC Cooling Optional
- Photodiodes Optional
- Stainless Steel Armor Optional

Applications:

- Medical laser treatment
- Others

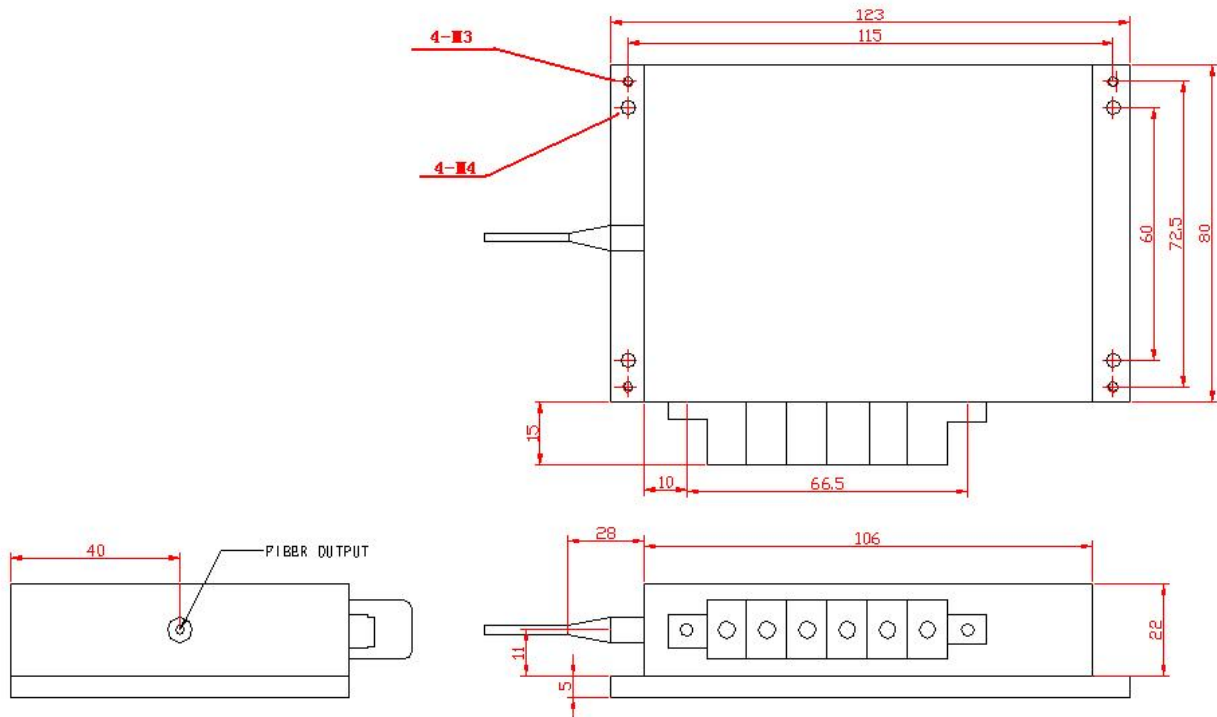

Specifications
WSLB-850-003-H

	Min.	Type	Max.
Center Wavelength@25°C	±3nm	850nm	±10nm
Spectral Width (FWHM)	----	3nm	----
Output Power	2.5W	3W	----
Temperature Coefficient of Wavelength	----	0.3nm / °C	----
Threshold Current (Typ.)	----	0.3A	0.6A
Operating Current (Typ.)	----	2.1A	2.4A
Operating Voltage		4V	
Fiber Core Diameter	<300um		
Fiber Numerical Aperture	0.22		
Recommend Operating Temperature	25°C		
Package	P2		
Fiber Length	100cm		
Connector Type	SMA905/ST/FC		
TEC Cooling	Optional		
650nm Red Aiming Beam	Optional		

Wavespectrum Laser Group
 www.wavespectrum-laser.com
 sales@wavespectrum-laser.com



Package View



PIN	1	2	3	4	5	6
	LD(+)	LD(-)	RT	RT	TEC(-)	TEC(+)

Wavespectrum offer **Customized 780nm Fiber Coupled LD**.
 Please let me know your special request:

- Customized Output Power
- Customized Fiber
- Customized Fiber Connector

Contact us with info@wavespectrum-laser.com

Electrically shorten LD module and store in non-extreme conditions.
 Suggest using the constant current power supply.



Wavespectrum Laser Group
www.wavespectrum-laser.com
sales@wavespectrum-laser.com

