

### 635nm 1W HHL Package Fiber Coupled Laser Diode Module

630nm~635nm 1W Output Power | HHL Package | 200um Fiber Core | High Power Red LD | TEC Cooling

WSLB-635-001-H

Wavespectrum Laser Group

www.wavespectrum-laser.com

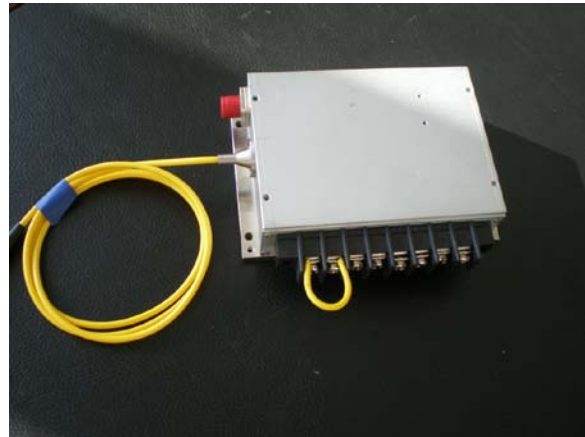
| PARAMETER                            | SYMBOL    | VALUE     | UNIT |
|--------------------------------------|-----------|-----------|------|
| Reverse Voltage                      | $V_r$     | 2.0       | V    |
| Operating Temperature                | $T_{op}$  | +10 ~ +30 | °C   |
| Storage Temperature                  | $T_{stg}$ | -20 ~ +80 | °C   |
| Lead soldering temperature (10 sec.) | $T_{is}$  | 260       | °C   |

#### Features:

- 635nm
- **Built-in** TEC Cooling Optional
- Photodiodes Optional
- Stainless Steel Armor Optional

#### Applications:

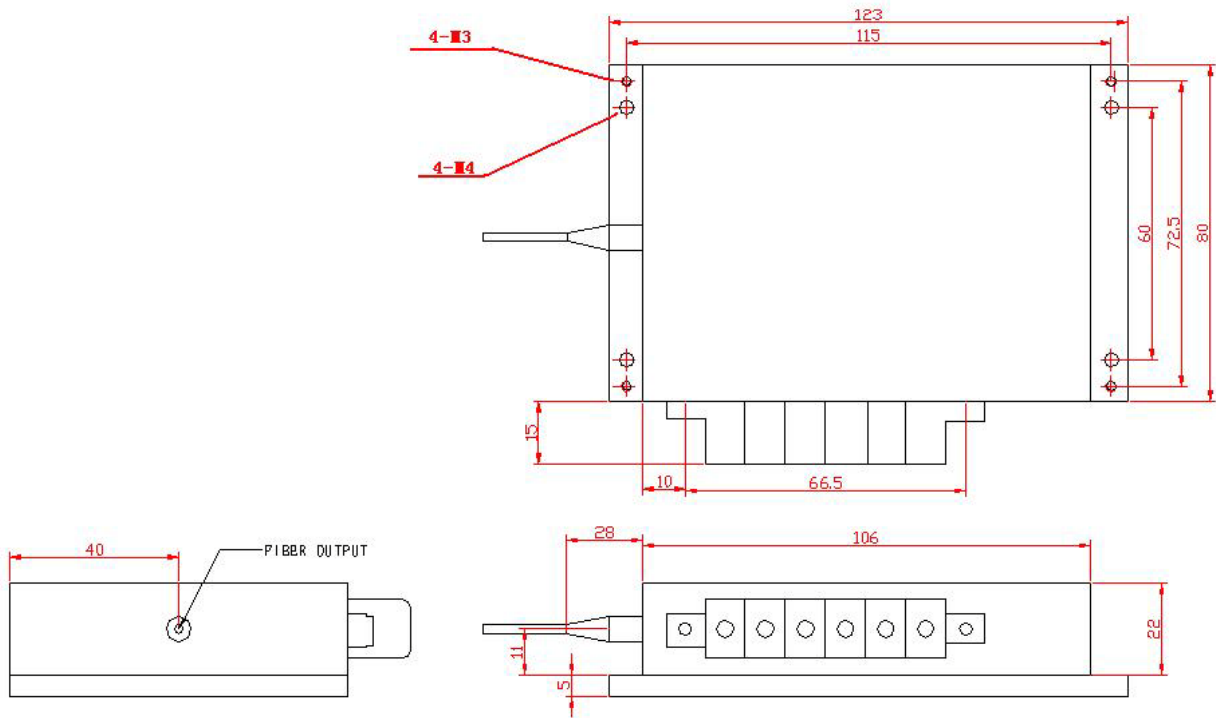
- Medical laser treatment
- Others



| Specifications                        | WSLB-635-001-H |            |      |
|---------------------------------------|----------------|------------|------|
|                                       | Min.           | Type       | Max. |
| Center Wavelength@25°C                | ----           | 635±10nm   | ---- |
| Spectral Width (FWHM)                 | ----           | 3nm        | ---- |
| Output Power                          | ----           | 1W         | ---- |
| Temperature Coefficient of Wavelength | ----           | 0.3nm / °C | ---- |
| Threshold Current (Typ.)              | ----           | 750mA      | ---- |
| Operating Current (Typ.)              | ----           | 1300mA     | ---- |
| Operating Voltage                     |                | 7V         |      |
| Cooling                               | TEC Cooling    |            |      |
| Fiber Core Diameter                   | <300um         |            |      |
| Fiber Numerical Aperture              | 0.22           |            |      |
| Fiber Length                          | 100cm          |            |      |
| Connector Type                        | SMA905/FC      |            |      |
| Package                               | P2 Package     |            |      |



Package View



| PIN | 1     | 2     | 3  | 4  | 5      | 6      |
|-----|-------|-------|----|----|--------|--------|
|     | LD(+) | LD(-) | RT | RT | TEC(-) | TEC(+) |

Wavespectrum offer **Customized 635nm Fiber Coupled LD.**

Please let me know your special request:

- Customized Output Power
- Customized Fiber
- Customized Fiber Connector

Contact us with [info@wavespectrum-laser.com](mailto:info@wavespectrum-laser.com)

Electrically shorten LD module and store in non-extreme conditions.

Suggest using the constant current power supply.



Wavespectrum Laser, Inc.  
 www.wavespectrum-laser.com  
 wavespectrumlaser@gmail.com

